

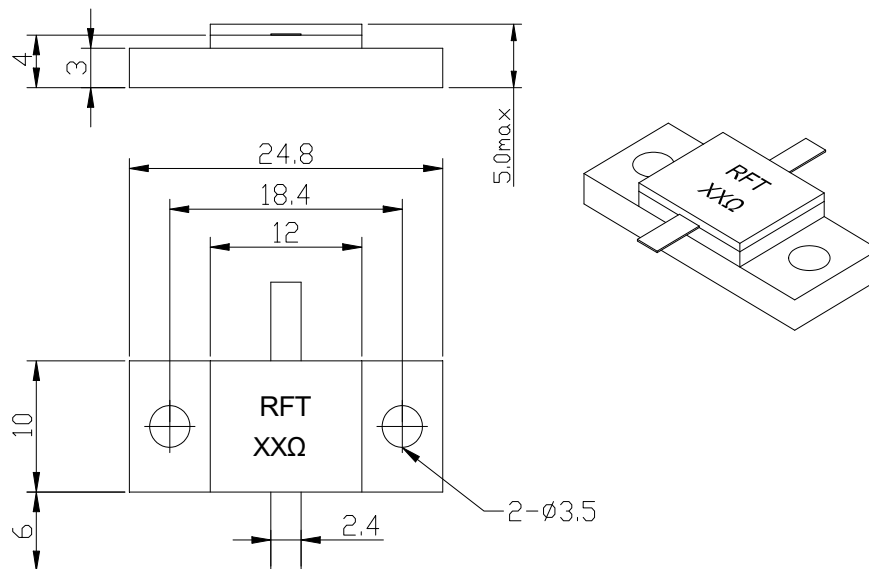
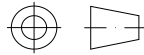


## Flanged Resistor

### Features and Electrical specifications:

Model	RFTXX-250RM2510
Power	250 W
Resistance	XX $\Omega$ (10~1000 $\Omega$ Customizable)
Resistance Tolerance	$\pm 5\%$
Capacitance	5.0PF@100 $\Omega$
Temperature Coefficient	<150ppm/ $^{\circ}$ C
Substrate	BeO
Cover	AL <sub>2</sub> O <sub>3</sub>
Mounting Flange	Brass
Lead	Copper silver plating
Resistive Element	Thick Film
Operating Temperature	-55 to +150 $^{\circ}$ C (See de Power De-rating)

### Outline Drawing (Unit: mm) :



The length of lead wire can meet the customer's requirements

Size Tolerance: 5% unless otherwise stated

**RFTYT Technology Co., LTD.**

<http://www.rfyt.com>

E-mail: [jackson@rfyt.com](mailto:jackson@rfyt.com)

[zqc7708@rfyt.com](mailto:zqc7708@rfyt.com)

TEL: +86-13088268828

FAX: +86-816-2846565

218# Wenwu Middle Road, Jinkai District, Mianyang, Sichuan Province China

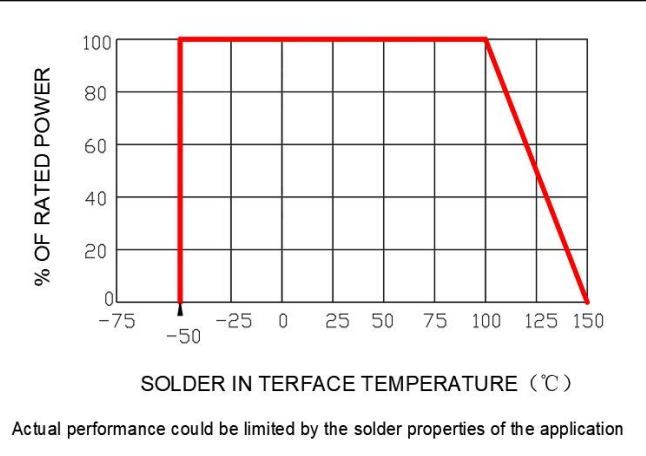
**Ready For Tackling Your Trouble**



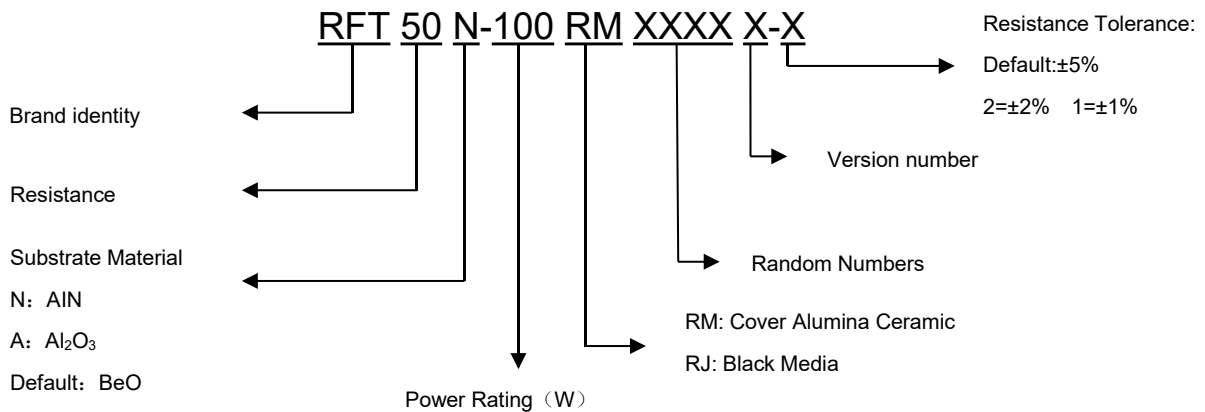
Suggested Stress Relief Methods:



Power De-rating:



P/N Designation:



Use attention:

- After the storage period of newly purchased components exceeds 6 months, attention should be paid to weldability before use. Storage is recommended for storage after vacuum packaging.
- The best heat conduction is required on the ground surface.
- Manual welding lead out should be used at or less than 350 degrees of constant temperature solder iron, welding time controlled in 5 seconds.
- In order to satisfy the drawings, it is necessary to install a large enough radiator. The metal surface and radiator need to be coated with a very thin layer of thermal conductive silicone grease.
- If necessary, add air cooling or water cooling.

Explain:

- Custom designs available RF Attenuators and RF Resistors and RF Terminations.