

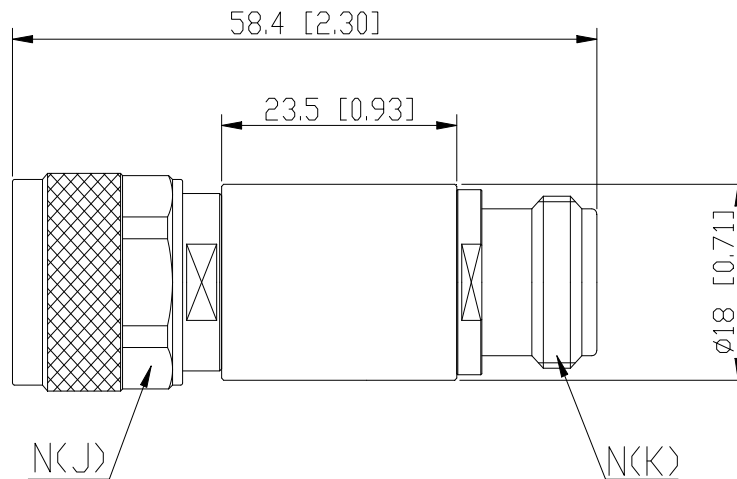
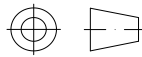


Coaxial Fixed Attenuator

Features and Electrical specifications:

Model	RFTXX-02RA1823-N-8 (XX=Attenuator Value)		
Frequency Range	DC~8.0GHz		
VSWR	1.25 Max		
Power	2 W		
Impedance	50 Ω		
Attenuation	1-10dB	15、20dB	25、30dB
Attenuation Tolerance	±0.6dB	±0.8dB	±1.0dB
Connector	N-J(M)/N-K(F)		
Dimension	Φ18×58.4mm		
Operating Temperature	-55 ~ +125°C (See de Power De-rating)		
Weight	About 80 g		
ROHS Compliant	Yes		

Outline Drawing (Unit: mm/inch):



RFTYT Technology Co., LTD.

<http://www.rfyt.com>

E-mail: Jackson@rfyt.com zqc7708@rfyt.com

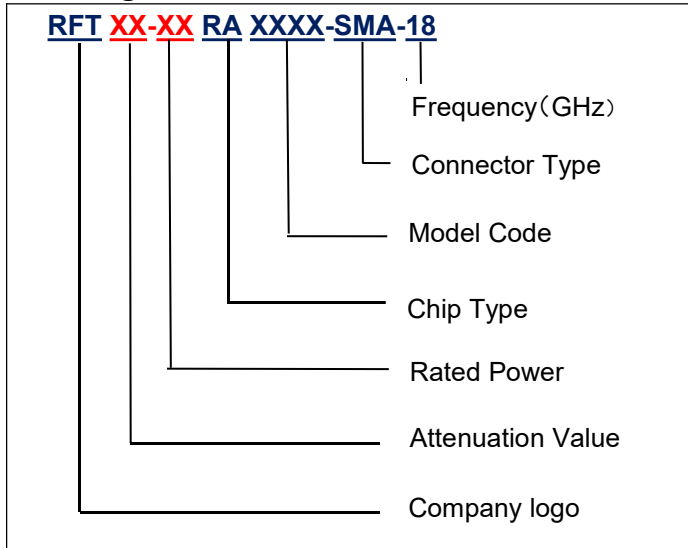
TEL: +86-13088268828 FAX: +86-816-2846565

218# Wenwu Middle Road, Jinkai District, Mianyang, Sichuan Province China

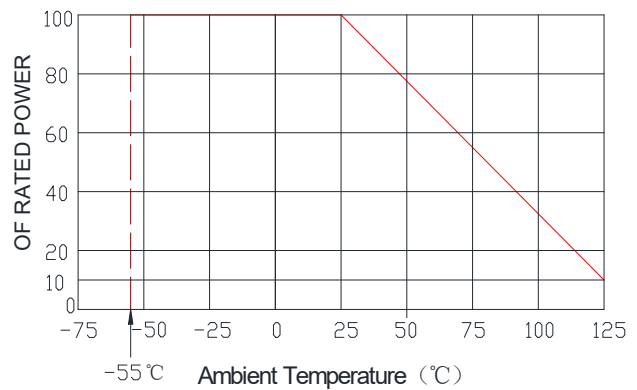
Ready For Tackling Your Trouble



Naming rules:



Power De-rating:



Use attention:

- 1、 Dimensions Tolerance $\pm 3\%$;
- 2、 If necessary, the product shall be air-cooled for auxiliary heat dissipation ;
- 3、 Custom designs available of other special coaxial fixed attenuator ;
- 4、 Pay attention to the direction of the product during use and strictly prohibit reverse connection.