

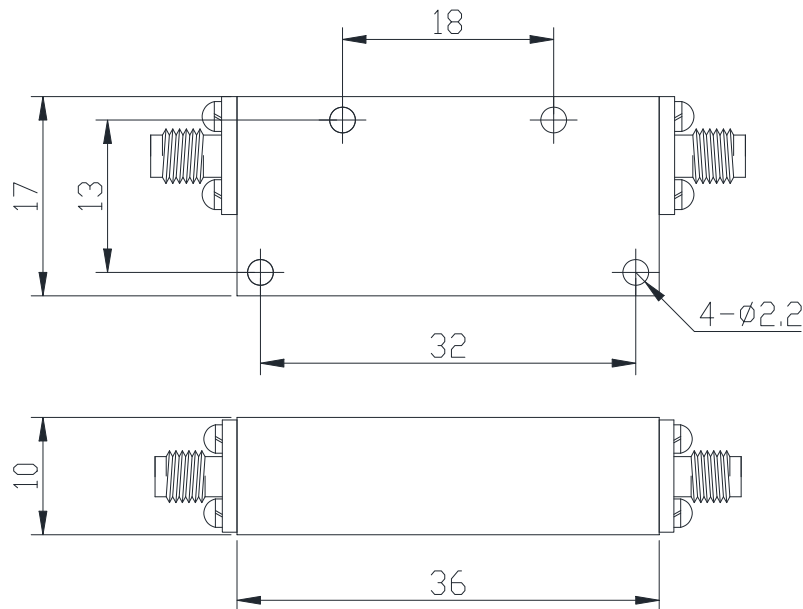
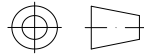


High Pass Filter

Features and Electrical specifications:

Model	HPF-2.5G18A-S
Frequency Range	2.5-18GHz
Insertion Loss	≤1.5dB
Rejection	≥40dB@DC-2000MHz
VSWR	1.6 Max
Rated Power	15 W
Impedance	50 Ω
Connector Type	SMA-F
Dimension	36.0x17.0x10.0mm
Surface Finishing	Black Painting
Operating Temperature	Ordinary temperature
Storage Temperature	-55 ~ +85°C

Outline Drawing (Unit: mm):



RFTYT Technology Co., LTD.

<http://www.rftyt.com>

E-mail: jackson@rftyt.com zqc7708@rftyt.com

TEL: +86-13088268828 FAX: +86-816-2846565

218# Wenwu Middle Road, Jinkai District, Mianyang, Sichuan Province China

Ready For Tackling Your Trouble