

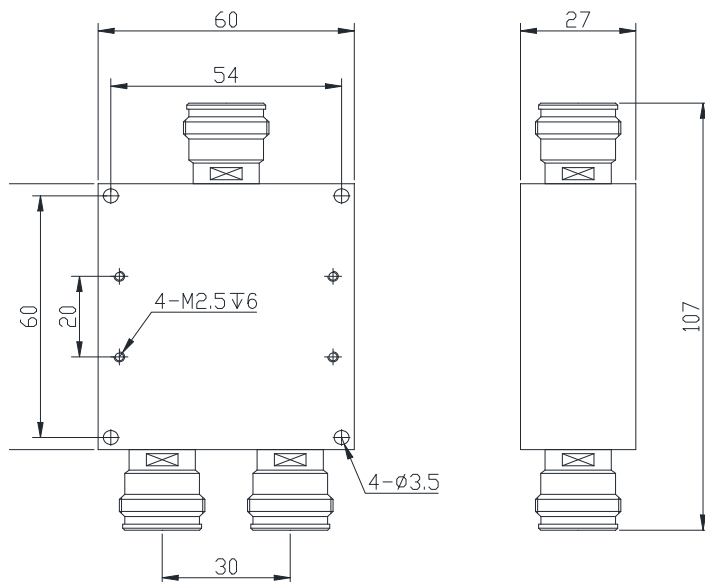
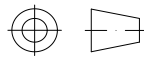


2 Way Power Divider

Features and Electrical specifications:

Model	PD02-F6066-M/698-4000MHz
Frequency Range	698-4000 MHz
Insertion Loss	≤0.8dB
Split Loss	3.0 dB
Isolation	20 dB min
VSWR	1.3 Max
PIM3	≤-150 dBc@2*43dBm
Rated Power	50 W
Impedance	50 Ω
Connector Type	4310-F
Waterproof Grade	IP65
Relative Humidity	≤95%
Surface Finishing	Black Painting
Operating Temperature	-20 ~ +60°C
ROHS Compliant	Yes

Outline Drawing (Unit: mm):



RFTYT Technology Co., LTD.

<http://www.rfyt.com>

E-mail : jackson@rfyt.com zqc7708@rfyt.com

TEL: +86-13088268828 FAX: +86-816-2846565

218# Wenwu Middle Road, Jinkai District, Mianyang, Sichuan Province China

Ready For Tackling Your Trouble