

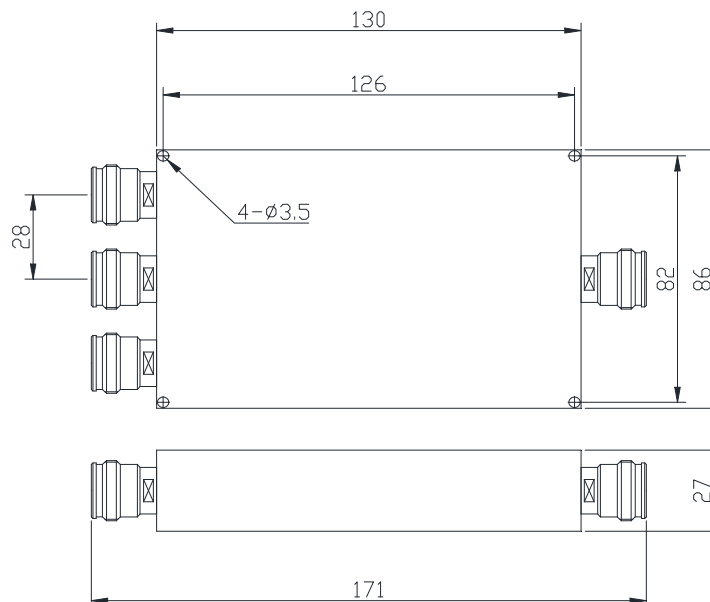
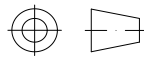


3 Way Power Divider

Features and Electrical specifications:

Model	PD03-F1013-N/698-3800MHz
Frequency Range	698-4000 MHz
Insertion Loss	≤ 1.2dB
Split loss	4.8dB
Isolation	≥ 20dB
PIM 3	≤ -150 dBc@2*43dBm
VSWR	1.3 Max
Rated Power	50 W
Impedance	50 Ω
Connector Type	4310-F
Waterproof Grade	IP65
Relative Humidity	≤ 95%
Surface Finishing	Black Painting
Operating Temperature	-20 ~ +60°C
ROHS Compliant	Yes

Outline Drawing (Unit: mm):



RFTYT Technology Co., LTD.

<http://www.rftyt.com>

E-mail : jackson@rftyt.com zqc7708@rftyt.com

TEL: +86-13088268828 FAX: +86-816-2846565

218# Wenwu Middle Road, Jinkai District, Mianyang, Sichuan Province China

Ready For Tackling Your Trouble