

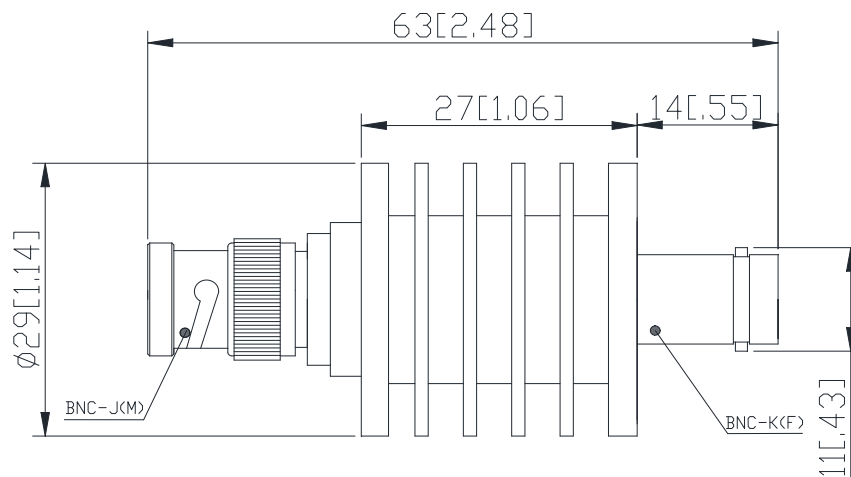


## Coaxial Fixed Attenuator

### Features and Electrical specifications:

Model	RFTXX-10RF2927-BNC-1.5 (XX=Attenuator Value)			
Frequency Range	DC~1.5GHz			
VSWR	1.20 Max			
Power	10 W			
Impedance	50 Ω			
Attenuation	1-10dB	11-20dB	21-30dB	40dB
Attenuation Tolerance	±0.7dB	±0.8dB	±1.0dB	±1.2dB
Connector	BNC-J(M)/BNC-K(F)			
Dimension	Φ29×63mm			
Operating Temperature	-55 ~ +125°C (See de Power De-rating)			
Weight	About 80 g			
ROHS Compliant	Yes			

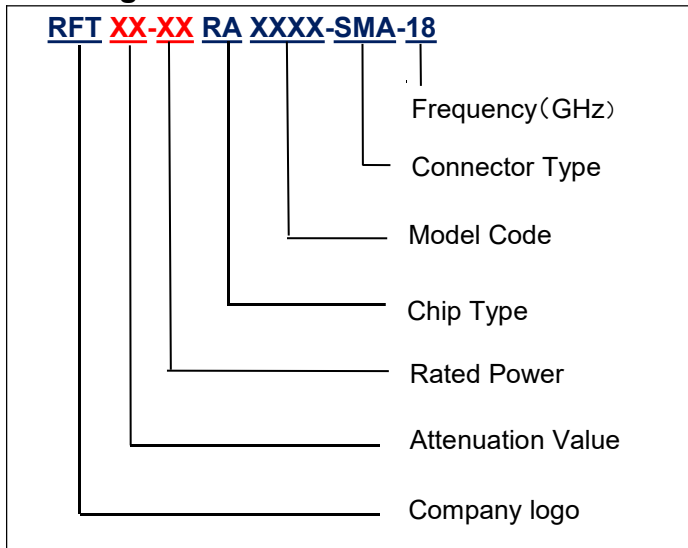
### Outline Drawing (Unit: mm/inch):



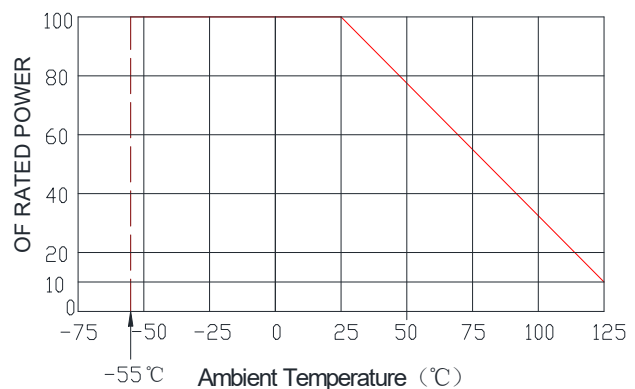
The connector type cannot be changed



**Naming rules:**



**Power De-rating:**



**Use attention:**

- 1、 Dimensions Tolerance  $\pm 3\%$ ;
- 2、 If necessary, the product shall be air-cooled for auxiliary heat dissipation ;
- 3、 Custom designs available of other special coaxial fixed attenuator ;
- 4、 Pay attention to the direction of the product during use and strictly prohibit reverse connection.