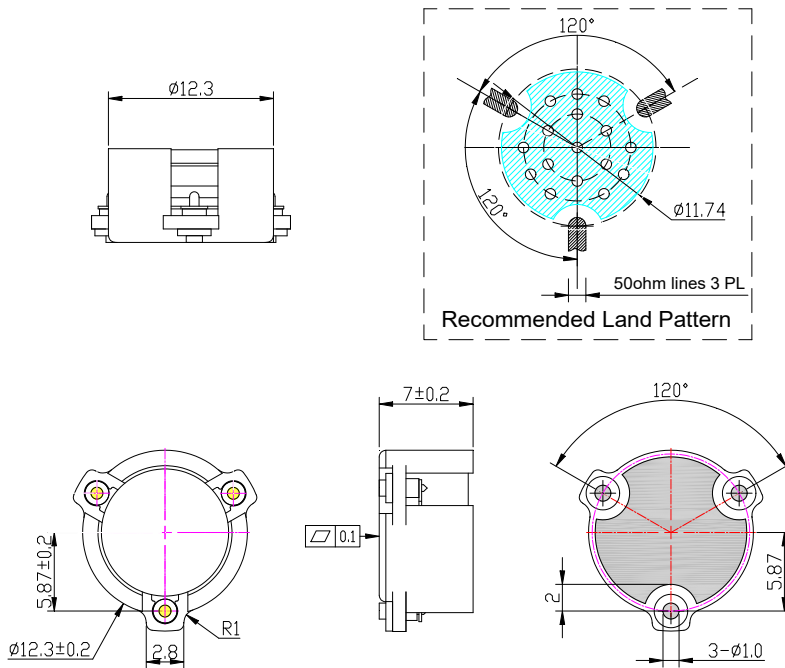
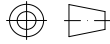


1400 to 6000MHz Surface Mount Circulator

SMTH-D12.3B SMT

Outline Drawing (mm):



Features:

- ◇ Good temperature stability
- ◇ Withstand high power
- ◇ RoHS compliant
- ◇ Weight : ≈ 5 g

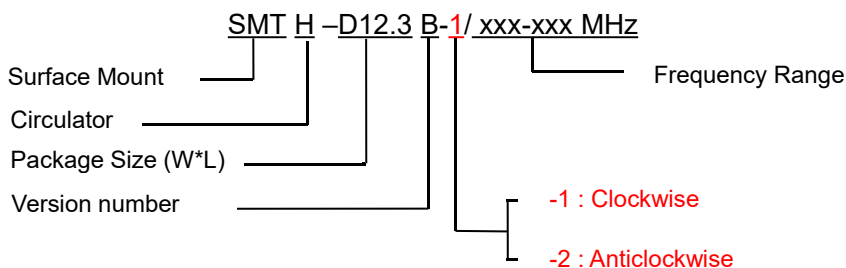
Material list:

- ◇ Shell: industrial pure iron silvered
- ◇ Inner conductor: silver plated brass

Application:

- ◇ Rf amplifier final stage, protect the amplifier
- ◇ Common transceiver antenna
- ◇ Digital communication
- ◇ Satellite communication
- ◇ Mobile communication

Order Examples:



Basic Specifications:

Impedance	50 Ω
Size(mm)	$\Phi 12.3 \times 7.0$
Operating Temp	-40~+80 $^{\circ}$ C
Storage temperature	-50~+90 $^{\circ}$ C
ConnectorType	SMT

Specifications:

Model No. (X=1: →Clockwise) (X=2: ←Anticlockwise)	Freq. Range MHz	IL. dB (max)	Isolation dB (min)	VSWR	Power CW
SMTH-D12.3B-X/1420-1450MHz	1420-1450	0.4	20	1.25	30
SMTH-D12.3B-X/1710-1785MHz	1710-1785	0.4	20	1.25	30
SMTH-D12.3B-X/1805-1880MHz	1805-1880	0.4	20	1.25	30
SMTH-D12.3B-X/2110-2170MHz	2110-2170	0.3	23	1.2	30
SMTH-D12.3B-X/2496-2696MHz	2496-2696	0.3	23	1.2	30
SMTH-D12.3B-X/3250-3450MHz	3250-3450	0.35	20	1.25	30
SMTH-D12.3B-X/3300-3500MHz	3300-3500	0.35	20	1.25	30
SMTH-D12.3B-X/3400-3800MHz	3400-3800	0.6	18	1.3	30
SMTH-D12.3B-X/3400-4000MHz	3400-4000	0.6	17	1.3	30
SMTH-D12.3B-X/4400-5000MHz	4400-5000	0.6	18	1.3	30
SMTH-D12.3B-X/5700-5900MHz	5700-5900	0.4	20	1.25	30

Instructions:

- 1, When the surface paste circulator adopts reflow welding process, the maximum temperature does not exceed 260 degrees;
- 2, The circulator only provides through power, indicating that the transmission to the antenna and the antenna to the receiving are through power;
- 3, Only some common frequencies in the table, can be produced according to the user's requirements;
- 4, If you do not find what you are looking for, please contact us!