

3.0 to 6.0GHz Coaxial Isolator

TG2528CN N Type

Outline Drawing (mm): 



Features:

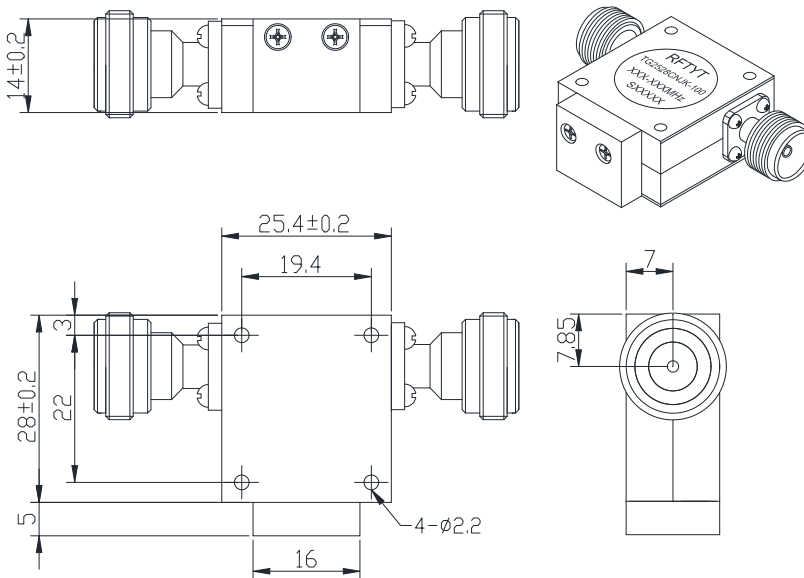
- ◇ Good temperature stability
- ◇ Withstand high power
- ◇ RoHS compliant
- ◇ Weight : ≈ 48 g

Material list:

- ◇ Cavity: aluminum conductive oxidation
- ◇ Outer shell: industrial pure iron nickel plating
- ◇ Guide body: Silver plated brass
- ◇ Load chamber: aluminum conductive oxidation
- ◇

Application:

- ◇ Rf amplifier final stage, protect the amplifier
- ◇ Digital communication
- ◇ Satellite communication
- ◇ Mobile communication



Order Examples:

Coaxial Isolator TG 2528 C N - 1-200 / xxx-xxx MHz Frequency Range
 Package Size (W*L) Reverse Power (≤ 20 W Default)
 Structure Number -1 : Clockwise
 -2 : Anticlockwise
 Connector Type (Abbreviation)

Connector Type:

SMA Type Connector Options			N Type Connector Options		
Port 1	Port 2	Abbreviation	Port 1	Port 2	Abbreviation
SMA-K	SMA-K	S	N-K	N-K	N
SMA-K	SMA-J	SKJ	N-J	N-K	NJK
SMA-J	SMA-K	SJK	N-K	N-J	NKJ
SMA-J	SMA-J	SJ	N-J	N-J	NJ

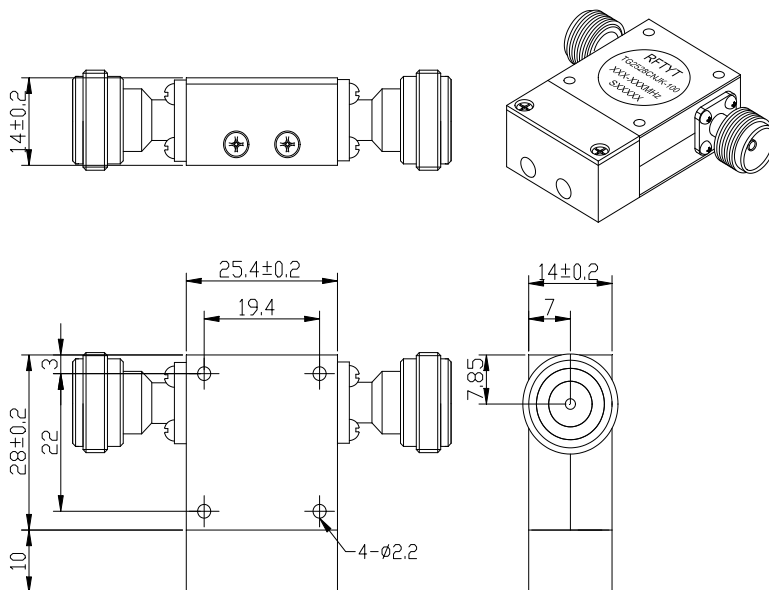
Basic Specifications :

Impedance	50 Ω
Connector Type	N-K
Size(mm)	A Type: 25.4*28.0*14.0 (TG2528C,Default Size) B Type: 25.4*28.0*15.0 (TG2528CT)
Operating Temp	-10~+60 $^{\circ}\text{C}$
Storage temperature	-50~+90 $^{\circ}\text{C}$

Specifications :

Model No. (X=1: →Clockwise) (X=2: ←Anticlockwise)	Freq. Range GHz	IL. dB (max)	Isolation dB (min)	VSWR	Forward Power CW	Reverse Power W
TG2528CN-X/3000-6000MHz	3.0-6.0	0.50	18.0	1.30	150	20/100
TG2528CN-X/4000-6000MHz	4.0-6.0	0.45	20.0	1.25	150	20/100

Reflected power 100W size diagram



The reflected power of this figure is 100W, the indicators are shown in the table above, and its model is TG2528CN-X-100/XXX-XXXMHz

Instructions:

- 1, The isolator connector can be selected SMA, N, male and female head can be used with the user;
- 2, The reflection power is commonly used 20W and 100W options, you can also configure the total reflection power according to user requirements;
- 3, Only some common frequencies in the table, can be produced according to the user's requirements;
- 4, If you do not find what you are looking for, please contact us