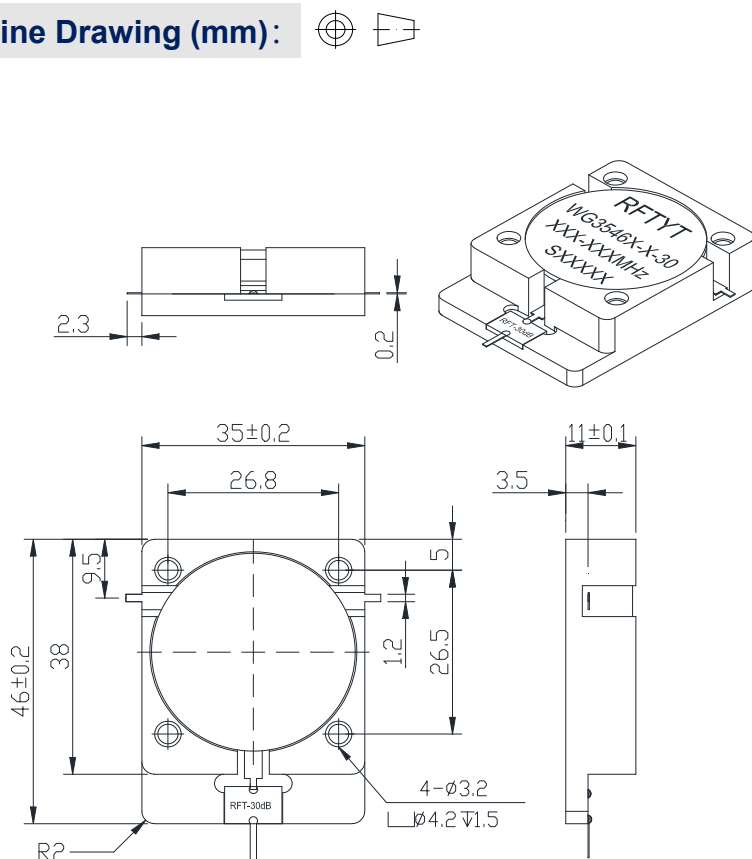


300 to 1850MHz Drop in Isolator

WG3546X Drop-In Type

Outline Drawing (mm):



Features:

- ◇ Good temperature stability
- ◇ Withstand high power
- ◇ RoHS compliant
- ◇ Weight : \approx 93 g

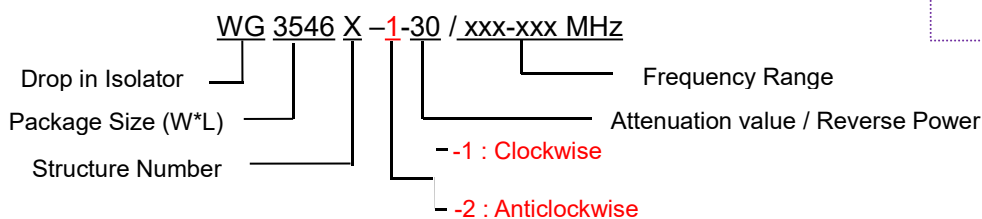
Material list:

- ◇ Shell: Steel
- Coating: Bright Nickel
- ◇ Inner conductor: Brass
- Coating: Silver

Application:

- ◇ Protect the power amplifier and Installed at the end of RF power amplifier
- ◇ Transceiver common antenna
- ◇ Medical, Communication, Security . VHF.

Order Examples :



Basic Specifications :

Impedance	50 Ω
Size(mm)	35.0*46.0*11.0
Operating Temp	-30~+70 $^{\circ}$ C/-40~+85 $^{\circ}$ C
Storage temperature	-50~+90 $^{\circ}$ C

Specifications:

Model No. (X=1: →Clockwise) (X=2: ←Anticlockwise)	Freq. Range MHz	IL dB (max)	Isolation dB (min)	VSWR	Forward Power CW	Attenuation value (dB)
WG3546X-X-30/300-320MHz	300-320	0.60	20.0	1.25	100	30
WG3546X-X-30/300-350MHz	300-350	0.80	18.0	1.35	100	30
WG3546X-X-30/309-339MHz	309-339	0.50	20.0	1.25	100	30
WG3546X-X-30/310-340MHz	310-340	0.50	20.0	1.25	100	30
WG3546X-X-30/320-340MHz	320-340	0.45	20.0	1.25	100	30
WG3546X-X-30/350-370MHz	350-370	0.40	20.0	1.25	100	30
WG3546X-X-30/350-400MHz	350-400	0.50	19.0	1.25	100	30
WG3546X-X-30/361-366MHz	361-366	0.30	23.0	1.20	100	30
WG3546X-X-30/370-420MHz	370-420	0.50	19.0	1.25	100	30
WG3546X-X-30/380-410MHz	380-410	0.40	20.0	1.25	100	30
WG3546X-X-30/380-460MHz	380-460	0.50	18.0	1.30	100	30
WG3546X-X-30/390-410MHz	390-410	0.30	23.0	1.20	100	30
WG3546X-X-30/400-410MHz	400-410	0.30	23.0	1.20	100	30
WG3546X-X-30/400-440MHz	400-440	0.40	20.0	1.25	100	30
WG3546X-X-30/400-450MHz	400-450	0.40	20.0	1.25	100	30
WG3546X-X-30/400-470MHz	400-470	0.40	20.0	1.25	100	30
WG3546X-X-30/400-500MHz	400-500	0.50	19.0	1.25	100	30
WG3546X-X-30/410-460MHz	410-460	0.40	20.0	1.25	100	30
WG3546X-X-30/413-419MHz	413-419	0.30	25.0	1.15	100	30
WG3546X-X-30/419-425MHz	419-425	0.30	25.0	1.15	100	30
WG3546X-X-30/420-450MHz	420-450	0.40	20.0	1.25	100	30
WG3546X-X-30/420-480MHz	420-480	0.40	20.0	1.25	100	30
WG3546X-X-30/425-475MHz	425-475	0.40	20.0	1.25	100	30
WG3546X-X-30/429-439MHz	429-439	0.30	25.0	1.15	100	30
WG3546X-X-30/430-440MHz	430-440	0.30	23.0	1.20	100	30



Model No. (X=1: →Clockwise) (X=2: ←Anticlockwise)	Freq. Range MHz	IL. dB (max)	Isolation dB (min)	VSWR	Forward Power CW	Attenuation value (dB)
WG3546X-X-30/430-460MHz	430-460	0.40	20.0	1.25	100	30
WG3546X-X-30/430-470MHz	430-470	0.40	20.0	1.25	100	30
WG3546X-X-30/433-457MHz	433-457	0.30	23.0	1.20	100	30
WG3546X-X-30/435-437MHz	435-437	0.30	23.0	1.20	100	30
WG3546X-X-30/440-470MHz	440-470	0.30	23.0	1.20	100	30
WG3546X-X-30/447-499MHz	447-499	0.30	23.0	1.20	100	30
WG3546X-X-30/450-456MHz	450-456	0.30	25.0	1.15	100	30
WG3546X-X-30/450-500MHz	450-500	0.40	20.0	1.25	100	30
WG3546X-X-30/450-520MHz	450-520	0.40	20.0	1.25	100	30
WG3546X-X-30/450-550MHz	450-550	0.40	20.0	1.25	100	30
WG3546X-X-30/455-465MHz	455-465	0.30	25.0	1.15	100	30
WG3546X-X-30/459-486MHz	459-486	0.30	23.0	1.20	100	30
WG3546X-X-30/470-490MHz	470-490	0.30	20.0	1.20	100	30
WG3546X-X-30/470-530MHz	470-530	0.40	20.0	1.20	100	30
WG3546X-X-30/470-570MHz	470-570	0.40	20.0	1.25	100	30
WG3546X-X-30/470-610MHz	470-610	0.50	18.0	1.30	100	30
WG3546X-X-30/475-525MHz	475-525	0.30	23.0	1.20	100	30
WG3546X-X-30/495-516MHz	495-516	0.30	23.0	1.20	100	30
WG3546X-X-30/500-600MHz	500-600	0.40	20.0	1.20	100	30
WG3546X-X-30/500-700MHz	500-700	0.70	17.5	1.35	100	30
WG3546X-X-30/570-670MHz	570-670	0.30	23.0	1.20	100	30
WG3546X-X-30/580-720MHz	580-720	0.45	20.0	1.25	100	30
WG3546X-X-30/600-700MHz	600-700	0.40	20.0	1.25	100	30
WG3546X-X-30/670-770MHz	670-770	0.30	23.0	1.20	100	30
WG3546X-X-30/690-860MHz	690-860	0.40	20.0	1.20	100	30
WG3546X-X-30700-862/MHz	700-862	0.40	20.0	1.25	100	30



Model No. (X=1: →Clockwise) (X=2: ←Anticlockwise)	Freq. Range MHz	IL. dB (max)	Isolation dB (min)	VSWR	Forward Power CW	Attenuation value (dB)
WG3546X-X-30/700-900MHz	700-900	0.50	18.0	1.30	100	30
WG3546X-X-30/703-862MHz	703-862	0.40	20.0	1.25	100	30
WG3546X-X-30/770-860MHz	770-860	0.30	23.0	1.20	100	30
WG3546X-X-30/600-800MHz	600-800	0.50	18.0	1.30	100	30
WG3546X-X-30/700-1000MHz	700-1000	0.60	16.0	1.40	100	30
WG3546X-X-30/750-950MHz	750-950	0.40	20.0	1.25	100	30
WG3546X-X-30/800-1000MHz	800-1000	0.40	20.0	1.25	100	30
WG3546X-X-30/854-921MHz	854-921	0.30	20.0	1.20	100	30
WG3546X-X-30/860-872MHz	860-872	0.25	25.0	1.15	100	30
WG3546X-X-30/862-960MHz	862-960	0.30	25.0	1.20	100	30
WG3546X-X-30/900-930MHz	900-930	0.25	25.0	1.15	100	30
WG3546X-X-30/900-1000MHz	900-1000	0.30	23.0	1.20	100	30
WG3546X-X-30/900-1100MHz	900-1100	0.40	20.0	1.25	100	30
WG3546X-X-30/950-1000MHz	950-1000	0.30	23.0	1.20	100	30
WG3546X-X-30/950-1250MHz	950-1250	0.45	20.0	1.25	100	30
WG3546X-X-30/950-1280MHz	950-1280	0.50	20.0	1.25	100	30
WG3546X-X-30/950-1450MHz	950-1450	0.60	17.0	1.35	100	30
WG3546X-X-30/955-1220MHz	955-1220	0.40	20.0	1.25	100	30
WG3546X-X-30/960-1160MHz	960-1160	0.40	20.0	1.25	100	30
WG3546X-X-30/960-1215MHz	960-1215	0.40	20.0	1.25	100	30
WG3546X-X-30/960-1260MHz	960-1260	0.45	20.0	1.25	100	30
WG3546X-X-30/1000-1100MHz	1000-1100	0.30	25.0	1.15	100	30
WG3546X-X-30/1000-1500MHz	1000-1500	0.60	17.0	1.35	100	30
WG3546X-X-30/1015-1045MHz	1015-1045	0.25	23.0	1.15	100	30
WG3546X-X-30/1020-1040MHz	1020-1040	0.25	25.0	1.15	100	30
WG3546X-X-30/1020-1100MHz	1020-1100	0.25	20.0	1.20	100	30



Model No. (X=1: →Clockwise) (X=2: ←Anticlockwise)	Freq. Range MHz	IL. dB (max)	Isolation dB (min)	VSWR	Forward Power CW	Attenuation value (dB)
WG3546X-X-30/1022-1540MHz	1022-1540	0.60	17.0	1.35	100	30
WG3546X-X-30/1030-1039MHz	1030-1039	0.20	25.0	1.15	100	30
WG3546X-X-30/1030-1090MHz	1030-1090	0.25	23.0	1.20	100	30
WG3546X-X-30/1100-1600MHz	1100-1600	0.50	17.0	1.35	100	30
WG3546X-X-30/1100-1650MHz	1100-1650	0.60	17.0	1.35	100	30
WG3546X-X-30/1100-1699MHz	1100-1699	0.60	16.0	1.40	100	30
WG3546X-X-30/1160-1610MHz	1160-1610	0.50	18.0	1.30	100	30
WG3546X-X-30/1200-1400MHz	1200-1400	0.30	20.0	1.25	100	30
WG3546X-X-30/1200-1500MHz	1200-1500	0.40	20.0	1.25	100	30
WG3546X-X-30/1285-1315MHz	1285-1315	0.20	23.0	1.20	100	30
WG3546X-X-30/1290-1310MHz	1290-1310	0.20	25.0	1.15	100	30
WG3546X-X-30/1300-1700MHz	1300-1700	0.40	20.0	1.20	100	30
WG3546X-X-30/1350-1850MHz	1350-1850	0.50	19.0	1.25	100	30
WG3546X-X-30/1100-1700MHz	1100-1700	0.60	16.0	1.40	100	30
WG3546X-X-30/1500-1700MHz	1500-1700	0.30	20.0	1.25	100	30

**If the frequency range you need is not covered in the form.
Please contact us for details.**