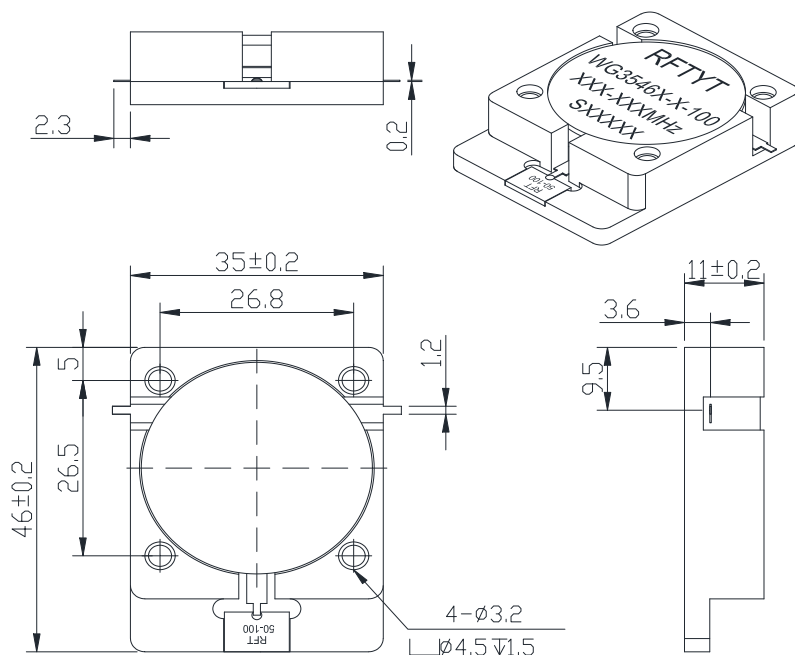
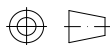


300 to 1850MHz Drop in Isolator

WG3546X Drop-In Type

Outline Drawing (mm):



Features:

- ◇ Good temperature stability
- ◇ Withstand high power
- ◇ RoHS compliant
- ◇ Weight : \approx 93 g

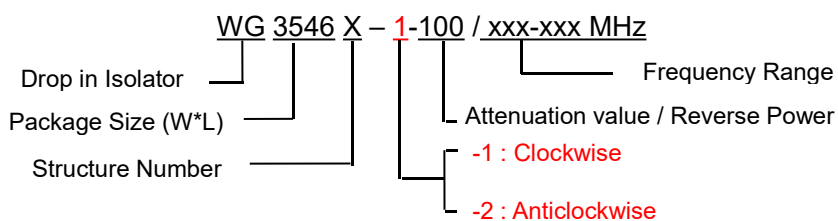
Material list:

- ◇ Shell: Steel
- Coating: Bright Nickel
- ◇ Inner conductor: Brass
- Coating: Silver

Application:

- ◇ Protect the power amplifier and Installed at the end of RF power amplifier
- ◇ Transceiver common antenna
- ◇ GSM1800/CDMA/TD-SCDMA/WCDMA/EGSM/Wimax/TD-LTE/AMPS/SR 5G and other communication systems

Order Examples:



Basic Specifications:

| | |
|---------------------|---|
| Impedance | 50 Ω |
| Size(mm) | 35.0*46.0*11.0 |
| Operating Temp | -30~+70 $^{\circ}$ C/-40~+85 $^{\circ}$ C |
| Storage temperature | -50~+90 $^{\circ}$ C |

Specifications:

| Model No. (X=1: →Clockwise) (X=2: ←Anticlockwise) | Freq. Range MHz | IL dB (max) | Isolation dB (min) | VSWR | Forward Power CW | Reverse Power W |
|--|----------------------------------|--|-------------------------------------|-------------|-----------------------------------|----------------------------------|
| WG3546X-X-100/300-320MHz | 300-320 | 0.60 | 20.0 | 1.25 | 100 | 100 |
| WG3546X-X-100/300-350MHz | 300-350 | 0.80 | 18.0 | 1.35 | 100 | 100 |
| WG3546X-X-100/309-339MHz | 309-339 | 0.50 | 20.0 | 1.25 | 100 | 100 |
| WG3546X-X-100/310-340MHz | 310-340 | 0.50 | 20.0 | 1.25 | 100 | 100 |
| WG3546X-X-100/320-340MHz | 320-340 | 0.45 | 20.0 | 1.25 | 100 | 100 |
| WG3546X-X-100/350-370MHz | 350-370 | 0.40 | 20.0 | 1.25 | 100 | 100 |
| WG3546X-X-100/350-400MHz | 350-400 | 0.50 | 19.0 | 1.25 | 100 | 100 |
| WG3546X-X-100/361-366MHz | 361-366 | 0.30 | 23.0 | 1.20 | 100 | 100 |
| WG3546X-X-100/370-420MHz | 370-420 | 0.50 | 19.0 | 1.25 | 100 | 100 |
| WG3546X-X-100/380-410MHz | 380-410 | 0.40 | 20.0 | 1.25 | 100 | 100 |
| WG3546X-X-100/380-460MHz | 380-460 | 0.50 | 18.0 | 1.30 | 100 | 100 |
| WG3546X-X-100/390-410MHz | 390-410 | 0.30 | 23.0 | 1.20 | 100 | 100 |
| WG3546X-X-100/400-410MHz | 400-410 | 0.30 | 23.0 | 1.20 | 100 | 100 |
| WG3546X-X-100/400-440MHz | 400-440 | 0.40 | 20.0 | 1.25 | 100 | 100 |
| WG3546X-X-100/400-450MHz | 400-450 | 0.40 | 20.0 | 1.25 | 100 | 100 |
| WG3546X-X-100/400-470MHz | 400-470 | 0.40 | 20.0 | 1.25 | 100 | 100 |
| WG3546X-X-100/400-500MHz | 400-500 | 0.50 | 19.0 | 1.25 | 100 | 100 |
| WG3546X-X-100/410-460MHz | 410-460 | 0.40 | 20.0 | 1.25 | 100 | 100 |
| WG3546X-X-100/413-419MHz | 413-419 | 0.30 | 25.0 | 1.15 | 100 | 100 |
| WG3546X-X-100/419-425MHz | 419-425 | 0.30 | 25.0 | 1.15 | 100 | 100 |
| WG3546X-X-100/420-450MHz | 420-450 | 0.40 | 20.0 | 1.25 | 100 | 100 |
| WG3546X-X-100/420-480MHz | 420-480 | 0.40 | 20.0 | 1.25 | 100 | 100 |
| WG3546X-X-100/425-475MHz | 425-475 | 0.40 | 20.0 | 1.25 | 100 | 100 |
| WG3546X-X-100/429-439MHz | 429-439 | 0.30 | 25.0 | 1.15 | 100 | 100 |
| WG3546X-X-100/430-440MHz | 430-440 | 0.30 | 23.0 | 1.20 | 100 | 100 |



| Model No. (X=1: →Clockwise) (X=2: ←Anticlockwise) | Freq. Range MHz | IL dB (max) | Isolation dB (min) | VSWR | Forward Power CW | Reverse Power W |
|--|----------------------------------|--|-------------------------------------|-------------|-----------------------------------|----------------------------------|
| WG3546X-X-100/430-460MHz | 430-460 | 0.40 | 20.0 | 1.25 | 100 | 100 |
| WG3546X-X-100/430-470MHz | 430-470 | 0.40 | 20.0 | 1.25 | 100 | 100 |
| WG3546X-X-100/433-457MHz | 433-457 | 0.30 | 23.0 | 1.20 | 100 | 100 |
| WG3546X-X-100/435-437MHz | 435-437 | 0.30 | 23.0 | 1.20 | 100 | 100 |
| WG3546X-X-100/440-470MHz | 440-470 | 0.30 | 23.0 | 1.20 | 100 | 100 |
| WG3546X-X-100/447-499MHz | 447-499 | 0.30 | 23.0 | 1.20 | 100 | 100 |
| WG3546X-X-100/450-456MHz | 450-456 | 0.30 | 25.0 | 1.15 | 100 | 100 |
| WG3546X-X-100/450-500MHz | 450-500 | 0.40 | 20.0 | 1.25 | 100 | 100 |
| WG3546X-X-100/450-520MHz | 450-520 | 0.40 | 20.0 | 1.25 | 100 | 100 |
| WG3546X-X-100/450-550MHz | 450-550 | 0.40 | 20.0 | 1.25 | 100 | 100 |
| WG3546X-X-100/455-465MHz | 455-465 | 0.30 | 25.0 | 1.15 | 100 | 100 |
| WG3546X-X-100/459-486MHz | 459-486 | 0.30 | 23.0 | 1.20 | 100 | 100 |
| WG3546X-X-100/470-490MHz | 470-490 | 0.30 | 20.0 | 1.20 | 100 | 100 |
| WG3546X-X-100/470-530MHz | 470-530 | 0.40 | 20.0 | 1.20 | 100 | 100 |
| WG3546X-X-100/470-570MHz | 470-570 | 0.40 | 20.0 | 1.25 | 100 | 100 |
| WG3546X-X-100/470-610MHz | 470-610 | 0.50 | 18.0 | 1.30 | 100 | 100 |
| WG3546X-X-100/475-525MHz | 475-525 | 0.30 | 23.0 | 1.20 | 100 | 100 |
| WG3546X-X-100/495-516MHz | 495-516 | 0.30 | 23.0 | 1.20 | 100 | 100 |
| WG3546X-X-100/500-600MHz | 500-600 | 0.40 | 20.0 | 1.20 | 100 | 100 |
| WG3546X-X-100/500-700MHz | 500-700 | 0.70 | 17.5 | 1.35 | 100 | 100 |
| WG3546X-X-100/570-670MHz | 570-670 | 0.30 | 23.0 | 1.20 | 100 | 100 |
| WG3546X-X-100/580-720MHz | 580-720 | 0.45 | 20.0 | 1.25 | 100 | 100 |
| WG3546X-X-100/600-700MHz | 600-700 | 0.40 | 20.0 | 1.25 | 100 | 100 |
| WG3546X-X-100/670-770MHz | 670-770 | 0.30 | 23.0 | 1.20 | 100 | 100 |
| WG3546X-X-100/690-860MHz | 690-860 | 0.40 | 20.0 | 1.20 | 100 | 100 |
| WG3546X-X-100/700-862MHz | 700-862 | 0.40 | 20.0 | 1.25 | 100 | 100 |



| Model No. (X=1: →Clockwise) (X=2: ←Anticlockwise) | Freq. Range MHz | IL. dB (max) | Isolation dB (min) | VSWR | Forward Power CW | Reverse Power W |
|---|--------------------|--------------------|-----------------------|------|------------------------|-----------------------|
| WG3546X-X-100/700-900MHz | 700-900 | 0.50 | 18.0 | 1.30 | 100 | 100 |
| WG3546X-X-100/703-862MHz | 703-862 | 0.40 | 20.0 | 1.25 | 100 | 100 |
| WG3546X-X-100/770-860MHz | 770-860 | 0.30 | 23.0 | 1.20 | 100 | 100 |
| WG3546X-X-100/600-800MHz | 600-800 | 0.50 | 18.0 | 1.30 | 100 | 100 |
| WG3546X-X-100/700-1000MHz | 700-1000 | 0.60 | 16.0 | 1.40 | 100 | 100 |
| WG3546X-X-100/750-950MHz | 750-950 | 0.40 | 20.0 | 1.25 | 100 | 100 |
| WG3546X-X-100/800-1000MHz | 800-1000 | 0.40 | 20.0 | 1.25 | 100 | 100 |
| WG3546X-X-100/854-921MHz | 854-921 | 0.30 | 20.0 | 1.20 | 100 | 100 |
| WG3546X-X-100/860-872MHz | 860-872 | 0.25 | 25.0 | 1.15 | 100 | 100 |
| WG3546X-X-100/862-960MHz | 862-960 | 0.30 | 25.0 | 1.20 | 100 | 100 |
| WG3546X-X-100/900-930MHz | 900-930 | 0.25 | 25.0 | 1.15 | 100 | 100 |
| WG3546X-X-100/900-1000MHz | 900-1000 | 0.30 | 23.0 | 1.20 | 100 | 100 |
| WG3546X-X-100/900-1100MHz | 900-1100 | 0.40 | 20.0 | 1.25 | 100 | 100 |
| WG3546X-X-100/950-1000MHz | 950-1000 | 0.30 | 23.0 | 1.20 | 100 | 100 |
| WG3546X-X-100/950-1250MHz | 950-1250 | 0.45 | 20.0 | 1.25 | 100 | 100 |
| WG3546X-X-100/950-1280MHz | 950-1280 | 0.50 | 20.0 | 1.25 | 100 | 100 |
| WG3546X-X-100/950-1450MHz | 950-1450 | 0.60 | 17.0 | 1.35 | 100 | 100 |
| WG3546X-X-100/955-1220MHz | 955-1220 | 0.40 | 20.0 | 1.25 | 100 | 100 |
| WG3546X-X-100/960-1160MHz | 960-1160 | 0.40 | 20.0 | 1.25 | 100 | 100 |
| WG3546X-X-100/960-1215MHz | 960-1215 | 0.40 | 20.0 | 1.25 | 100 | 100 |
| WG3546X-X-100/960-1260MHz | 960-1260 | 0.45 | 20.0 | 1.25 | 100 | 100 |
| WG3546X-X-100/1000-1100MHz | 1000-1100 | 0.30 | 25.0 | 1.15 | 100 | 100 |
| WG3546X-X-100/1000-1500MHz | 1000-1500 | 0.60 | 17.0 | 1.35 | 100 | 100 |
| WG3546X-X-100/1015-1045MHz | 1015-1045 | 0.25 | 23.0 | 1.15 | 100 | 100 |
| WG3546X-X-100/1020-1040MHz | 1020-1040 | 0.25 | 25.0 | 1.15 | 100 | 100 |
| WG3546X-X-100/1020-1100MHz | 1020-1100 | 0.25 | 20.0 | 1.20 | 100 | 100 |



| Model No. (X=1: →Clockwise) (X=2: ←Anticlockwise) | Freq. Range MHz | IL. dB (max) | Isolation dB (min) | VSWR | Forward Power CW | Reverse Power W |
|---|--------------------|--------------------|-----------------------|------|---------------------|--------------------|
| WG3546X-X-100/1022-1540MHz | 1022-1540 | 0.60 | 17.0 | 1.35 | 100 | 100 |
| WG3546X-X-100/1030-1039MHz | 1030-1039 | 0.20 | 25.0 | 1.15 | 100 | 100 |
| WG3546X-X-100/1030-1090MHz | 1030-1090 | 0.25 | 23.0 | 1.20 | 100 | 100 |
| WG3546X-X-100/1100-1600MHz | 1100-1600 | 0.50 | 17.0 | 1.35 | 100 | 100 |
| WG3546X-X-100/1100-1650MHz | 1100-1650 | 0.60 | 17.0 | 1.35 | 100 | 100 |
| WG3546X-X-100/1100-1699MHz | 1100-1699 | 0.60 | 15.0 | 1.45 | 100 | 100 |
| WG3546X-X-100/1160-1610MHz | 1160-1610 | 0.50 | 18.0 | 1.30 | 100 | 100 |
| WG3546X-X-100/1200-1400MHz | 1200-1400 | 0.30 | 20.0 | 1.25 | 100 | 100 |
| WG3546X-X-100/1200-1400MHz | 1200-1400 | 0.40 | 20.0 | 1.25 | 100 | 100 |
| WG3546X-X-100/1285-1315MHz | 1285-1315 | 0.20 | 23.0 | 1.20 | 100 | 100 |
| WG3546X-X-100/1290-1310MHz | 1290-1310 | 0.20 | 25.0 | 1.15 | 100 | 100 |
| WG3546X-X-100/1300-1700MHz | 1300-1700 | 0.40 | 20.0 | 1.20 | 100 | 100 |
| WG3546X-X-100/1350-1850MHz | 1350-1850 | 0.50 | 19.0 | 1.25 | 100 | 100 |
| WG3546X-X-100/1100-1700MHz | 1100-1700 | 0.60 | 16.0 | 1.40 | 100 | 100 |
| WG3546X-X-100/1500-1700MHz | 1500-1700 | 0.30 | 20.0 | 1.25 | 100 | 100 |

**If the frequency range you need is not covered in the form.
Please contact us for details.**