

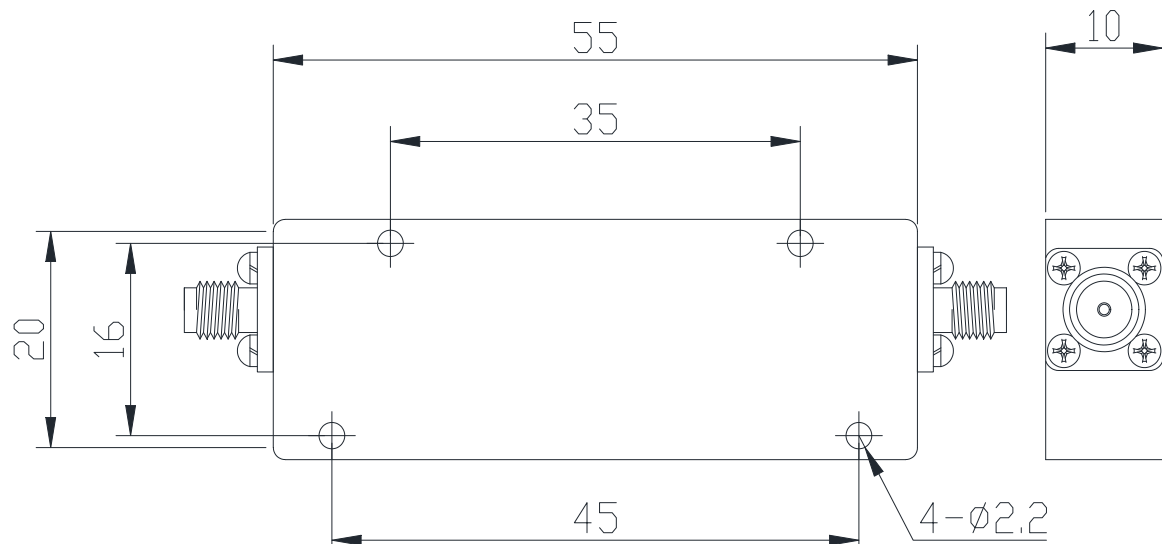
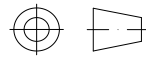


Low Pass Filter

Features and Electrical specifications:

Model	LPF-DCM2970A-S
Frequency Range	DC-2970MHz
Insertion Loss	≤1.0dB
Rejection	≥50dB@3960-9900MHz
VSWR	1.5 Max
Rated Power	40 W
Impedance	50 Ω
Connector Type	SMA-F
Dimension	55.0x20.0x10.0mm
Surface Finishing	Black Painting
Operating Temperature	Ordinary Temperature
Storage Temperature	-55 ~ +85°C

Outline Drawing (Unit: mm):



RFTYT Technology Co., LTD.

<http://www.rfyt.com>

E-mail: jackson@rfyt.com zqc7708@rfyt.com

TEL: +86-13088268828 FAX: +86-816-2846565

218# Wenwu Middle Road, Jinkai District, Mianyang, Sichuan Province China

Ready For Tackling Your Trouble