

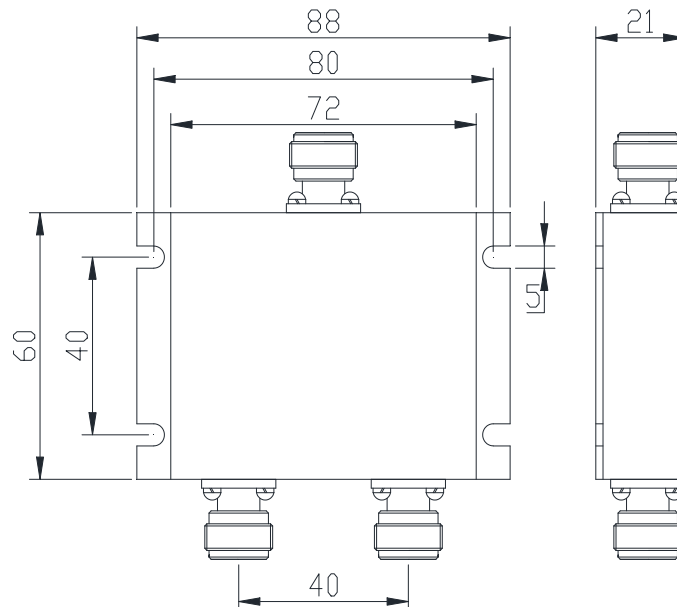


## 2 Way Power Divider

### Features and Electrical specifications:

Model	PD02-F8860-S/698-2700MHz
Frequency Range	698-2700 MHz
Insertion Loss	≤0.5dB
Split Loss	3.0 dB
Isolation	20 dB min
VSWR	1.25 Max
Rated Power	50 W
Impedance	50 Ω
Connector Type	SMA-F
Waterproof Grade	IP65
Relative Humidity	≤95%
Surface Finishing	Black Painting
Operating Temperature	-20 ~ +60°C
ROHS Compliant	Yes

### Outline Drawing (Unit: mm):



**RFTYT Technology Co., LTD.**

<http://www.rftyt.com>

E-mail : [jackson@rftyt.com](mailto:jackson@rftyt.com)      [zqc7708@rftyt.com](mailto:zqc7708@rftyt.com)

TEL: +86-13088268828      FAX: +86-816-2846565

218# Wenwu Middle Road, Jinkai District, Mianyang, Sichuan Province China

**Ready For Tackling Your Trouble**