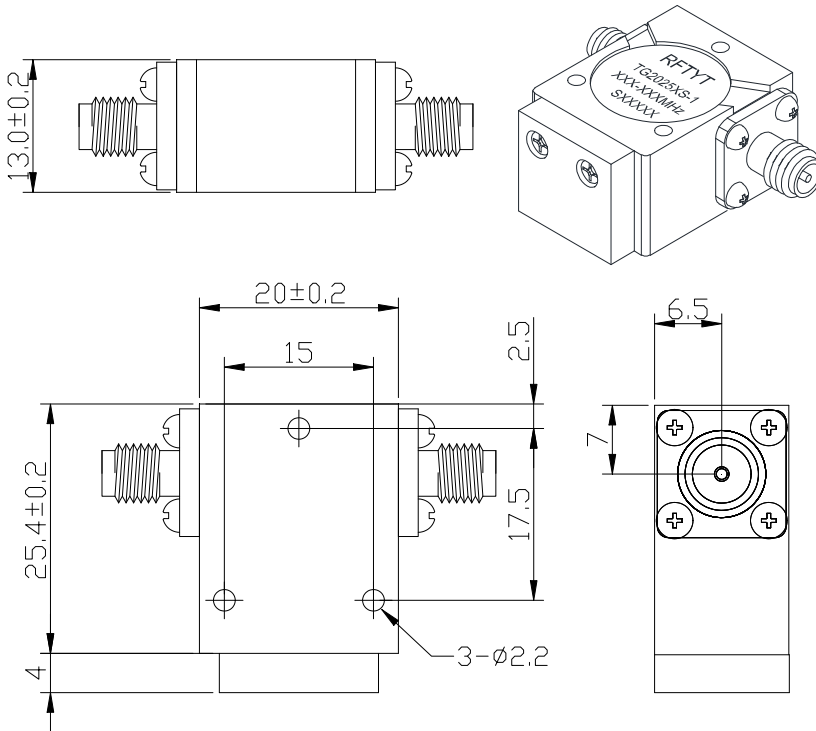
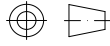


900 to 5000MHz Coaxial Isolator

TG2025XS SMA Type

Outline Drawing (mm):



Features:

- ◇ Good temperature stability
- ◇ Withstand high power
- ◇ RoHS compliant
- ◇ Weight : \approx 47 g

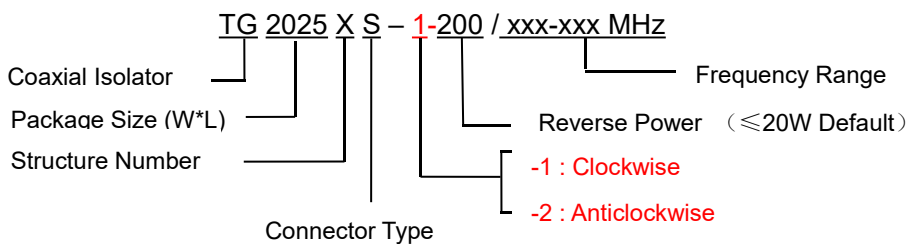
Material list:

- ◇ Shell: easy to cut iron plated nickel
- ◇ Inner conductor: silver plated brass
- ◇ Load cover: aluminum conductive oxidation
- ◇ 100w load block: brass plated nickel

Application:

- ◇ Rf amplifier final stage, protect the amplifier
- ◇ Satellite communication
- ◇ GSM/CDMA/TD-SCDMA/WCDMA
EGSM/Wimax/TD-LTE/AMPS/SMR
5G and other communication systems

Order Examples:



Connector Type:

SMA Type Connector Options			N Type Connector Options		
Port 1	Port 2	Abbreviation	Port 1	Port 2	Abbreviation
SMA-F	SMA-F	S	N-F	N-F	N
SMA-F	SMA-M	SKJ	N-F	N-M	NKJ
SMA-M	SMA-F	SJK	N-M	N-F	NJK
SMA-M	SMA-M	SJ	N-M	N-M	NJ

Basic Specifications :

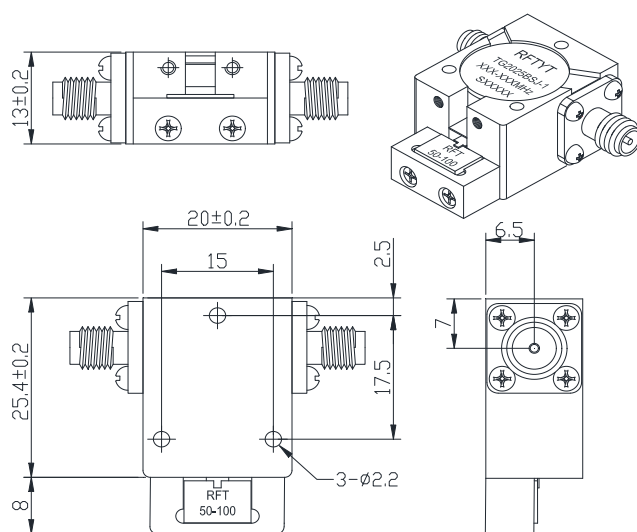
Impedance	50 Ω
Connector Type	SMA-F
Size(mm)	20.0*25.0*13.0
Operating Temp	-30~+70℃ / -45~+85℃
Storage temperature	-50~+90 ℃

Specifications :

Model No. (X=1: →Clockwise) (X=2: ←Anticlockwise)	Freq. Range MHz	IL. dB (max)	Isolation dB (min)	VSWR	Forward Power CW	Reverse Power W
TG2025XS-X/900-930MHz	900-930	0.40	23.0	1.20	100	20/100
TG2025XS-X/930-960MHz	930-960	0.40	23.0	1.20	100	20/100
TG2025XS-X/1030-1090MHz	1030-1090	0.40	23.0	1.20	100	20/100
TG2025XS-X/1290-1310MHz	1290-1310	0.30	23.0	1.20	100	20/100
TG2025XS-X/1300-1400MHz	1300-1400	0.40	20.0	1.20	100	20/100
TG2025XS-X/1400-1500MHz	1400-1500	0.30	23.0	1.20	100	20/100
TG2025XS-X/1400-1700MHz	1400-1700	0.50	18.0	1.30	100	20/100
TG2025XS-X/1500-1700MHz	1500-1700	0.35	20.0	1.25	100	20/100
TG2025XS-X/1700-1900MHz	1700-1900	0.40	20.0	1.25	100	20/100
TG2025XS-X/1710-1880MHz	1710-1880	0.40	20.0	1.25	100	20/100
TG2025XS-X/1800-1900MHz	1800-1900	0.30	23.0	1.20	100	20/100
TG2025XS-X/1805-1880MHz	1805-1880	0.30	23.0	1.20	100	20/100
TG2025XS-X/1880-1900MHz	1880-1900	0.25	25.0	1.15	100	20/100
TG2025XS-X/1900-2200MHz	1900-2200	0.40	20.0	1.25	100	20/100
TG2025XS-X/2000-2400MHz	2000-2400	0.50	18.0	1.30	100	20/100
TG2025XS-X/2110-2170MHz	2110-2170	0.30	23.0	1.20	100	20/100
TG2025XS-X/2200-2300MHz	2200-2300	0.30	23.0	1.20	100	20/100
TG2025XS-X/2300-2500MHz	2300-2500	0.35	20.0	1.20	100	20/100
TG2025XS-X/2400-2500MHz	2400-2500	0.25	23.0	1.15	100	20/100

Model No. (X=1: →Clockwise) (X=2: ←Anticlockwise)	Freq. Range MHz	IL. dB (max)	Isolation dB (min)	VSWR	Forward Power CW	Reverse Power W
TG2025XS-X/2620-2690MHz	2620-2690	0.30	23.0	1.15	100	20/100
TG2025XS-X/2700-3100MHz	2700-3100	0.40	20.0	1.25	100	20/100
TG2025XS-X/2900-3100MHz	2900-3100	0.30	23.0	1.20	100	20/100
TG2025XS-X/3100-3400MHz	3100-3400	0.35	20.0	1.20	100	20/100
TG2025XS-X/3400-3600MHz	3400-3600	0.30	20.0	1.20	100	20/100
TG2025XS-X/3400-3700MHz	3400-3700	0.35	20.0	1.25	100	20/100
TG2025XS-X/3600-4000MHz	3600-4000	0.40	20.0	1.25	100	20/100
TG2025XS-X/3700-4200MHz	3700-4200	0.45	19.0	1.25	100	20/100
TG2025XS-X/3750-4250MHz	3750-4250	0.45	19.0	1.25	100	20/100
TG2025XS-X/3900-4200MHz	3900-4200	0.40	20.0	1.25	100	20/100
TG2025XS-X/4000-4500MHz	4000-4500	0.40	20.0	1.25	100	20/100
TG2025XS-X/4400-5000MHz	4400-5000	0.50	20.0	1.25	100	20/100
TG2025XS-X/4500-5000MHz	4500-5000	0.45	20.0	1.25	100	20/100
TG2025XS-X/4900-5000MHz	4900-5000	0.30	23.0	1.20	100	20/100
TG2025XS-X/5700-5900MHz	5700-5900	0.40	23.0	1.20	80	20/100

Reverse power 100W size type



The reflected power of this figure is 100W, the indicators are shown in the table above, and its model

TG2025XS-X-100/XXX-XXXMHz

Instructions:

- 1, the isolator connector can be selected SMA male and female head, through the wall connection can be used with the user;
- 2, the reflected power is only 20W and 100W options;
- 3, only some common frequencies in the table, can be produced according to the user's requirements;
- 4, if you do not find what you are looking for, please contact us!