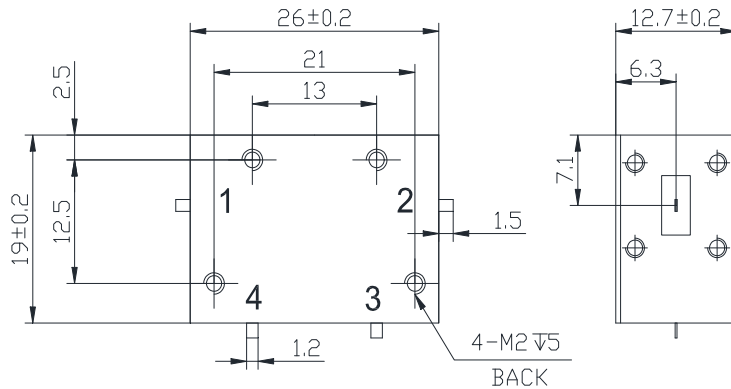
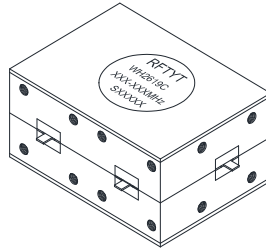


## 6.0to 12.0GHz Dual Junction Drop in Circulator

WHH2619C Strip line Type

Outline Drawing (mm): 



### Features:

- ◇ Good temperature stability
- ◇ Withstand high power
- ◇ RoHS compliant
- ◇ Weight : ≈ g

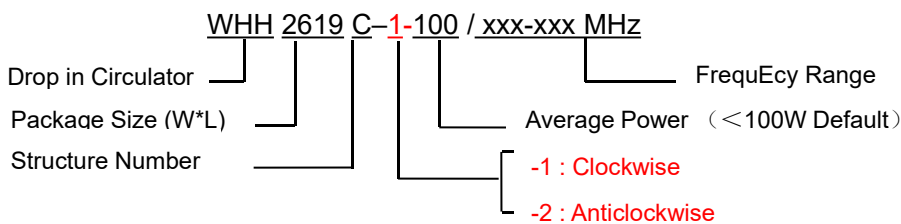
### Material list:

- ◇ Shell: Steel  
Coating: Bright Nickel
- ◇ Inner conductor: Brass  
Coating: Silver

### Application:

- ◇ Protect WHe power amplifier and  
Installed at WHe Ed of RF power  
amplifier
- ◇ Transceiver common antEna
- ◇ Medical,Communication,Security  
VHF

### Order Examples:



### Connector Type:

S Type Connector Options					N Type Connector Options				
Port 1	Port 2	Port 3	Port 4	Abbreviation	Port 1	Port 2	Port 3	Port 4	Abbreviation
Female	Female	Female	Female	S	Female	Female	Female	Female	N
Female	Male	Male	Male	SKJJJ	Female	Male	Male		NKJJ
Male	Female	Female	Female	SJKKK	Male	Female	Male		NJKJ
Female	Female	Male	Male	SKKJJ	Female	Female	Male		NKKJ
Male	Male	Male	Male	SJ	Male	Male	Male		NJ

### Basic Specifications :

Impedance	50 Ω
Connector Type	Strip line
Size(mm)	26.0*19.0*12.7
Operating Temp	-10~+60℃
Storage temperature	-30~+70 ℃

### Specifications :

<b>Model No.</b> (X=1: →Clockwise) (X=2: ←Anticlockwise)	<b>Freq. Range</b> <b>GHz</b>	<b>IL</b> <b>dB (max)</b>	<b>Isolation</b> <b>dB (min)</b>	<b>VSWR</b> <b>(max)</b>	<b>Forward Power</b> <b>W</b>
WHH2619C-X/6.0-10.0GHz	6.0-10.0	1.2	34	1.35	30
WHH2619C-X/8.0-11.0GHz	8.0-11.0	1.2	36	1.35	30
WHH2619C-X/8.0-12.0GHz	8.0-12.0	1.2	34	1.4	30

**If the frequency range you need is not covered in the form.  
Please contact us for details.**