

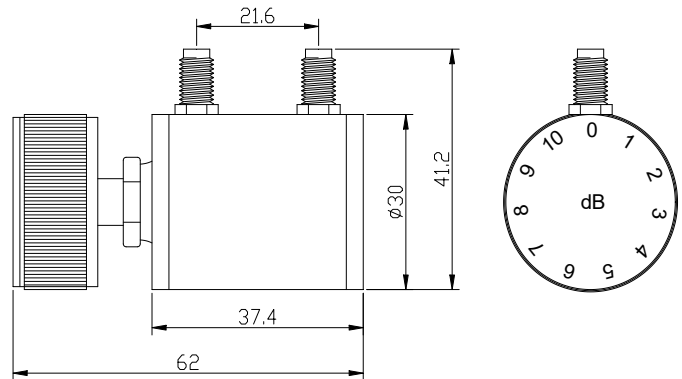


A1 RF Variable Attenuator

国军标: GJB 9001C-2017: 02618J31190R0S
质量体系: ISO 9001:2015: 02618Q31284R0S

Product Introduction:

Frequency Range: DC-6.0GHz
Attenuation Step: Min 0-10dB (0.1dB step)
Max 0-90dB (10dB step)
Nominal Impedance: 50Ω;
Average Power: 2W、10W
Peak Power: 100W (5μS Pulse width, 2% Duty cycle)
Connector Type: SMA (FF) ; N (FF)
Temperature Range: -20~85℃
Dimension: Φ30×62mm
Weight: 210 g ROHS Compliant: Yes



(unit: mm):

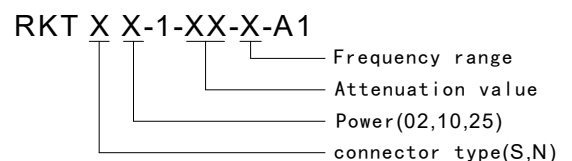
specs:

Model	Freq. Range GHz	Attenuation & Step	VSWR (max)	Insertion Loss dB (max)	Attenuation Tolerance dB
RKTXX-1-1-2.5-A1	DC-2.5	0-1dB 0.1dB step	1.25	0.4	±0.2
RKTXX-1-1-3.0-A1	DC-3.0		1.30	0.5	±0.2
RKTXX-1-1-4.3-A1	DC-4.3		1.35	0.75	±0.3
RKTXX-1-1-6.0-A1	DC-6.0		1.40	1.0	±0.4
RKTXX-1-10-2.5-A1	DC-2.5	0-10dB 1dB step	1.25	0.4	±0.4
RKTXX-1-10-3.0-A1	DC-3.0		1.30	0.5	±0.5
RKTXX-1-10-4.3-A1	DC-4.3		1.35	0.75	±0.5
RKTXX-1-10-6.0-A1	DC-6.0		1.40	1.0	±0.5
RKTXX-1-60-2.5-A1	DC-2.5	0-60dB 10dB step	1.25	0.4	±0.5(<40dB) ±3%(≥40dB)
RKTXX-1-60-3.0-A1	DC-3.0		1.30	0.5	
RKTXX-1-60-4.3-A1	DC-4.3		1.35	0.75	
RKTXX-1-60-6.0-A1	DC-6.0		1.40	1.0	
RKTXX-1-90-2.5-A1	DC-2.5	0-90dB 10dB step	1.25	0.4	±0.5(<40dB) ±3%(≥40dB)
RKTXX-1-90-3.0-A1	DC-3.0		1.30	0.5	±0.5(<40dB) ±3.5%(≥40dB)

Mechanical properties:

connector housing	Nickel Plated Brass
Yin internal conductor	Beryllium bronze gold plating
Cavity	Nickel Plated Brass

Naming rules:



RFTYT Technology Co., LTD.

<http://www.rftyt.com>

E-mail: jackson@rftyt.com zqc7708@rftyt.com

TEL: +86-13088268828 FAX: +86-816-2846565

218# Wenwu Middle Road, Jinkai District, Mianyang, Sichuan Province China

Ready For Tackling Your Trouble