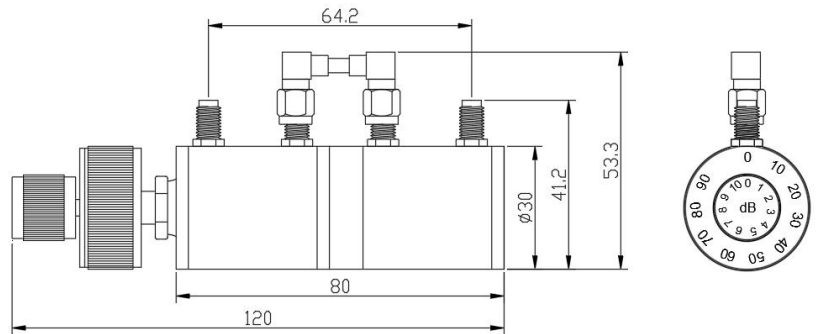




A2 RF Variable Attenuator

Product Introduction:

Frequency Range: DC-6.0GHz
 Attenuation Step: Min 0-10dB (0.1dB step)
 Max 0-100dB (1dB step)
 Nominal Impedance: 50Ω;
 Connector Type: SMA (FF) ; N (FF)
 Average Power: 2W、10W
 Peak Power: 100W (5uS Pulse width, 2% Duty cycle)
 Temperature Range: -20~85℃
 Dimension: Φ30×120mm
 Weight: 410 g ROHS Compliant: Yes



(unit: mm):

specs:

Model	Freq. Range GHz	Attenuation & Step	VSWR (max)		Insertion Loss dB (max)	Attenuation Tolerance dB
			SMA	N		
RKTXX-2-11-2.5-A2	DC-2.5	0-11dB 0.1dB step	1.30	1.45	1.0	±0.2 < 1dB, ±0.4 ≥ 1dB
RKTXX-2-11-3.0-A2	DC-3.0		1.35	1.45	1.2	±0.3 < 1dB, ±0.5 ≥ 1dB
RKTXX-2-11-4.3-A2	DC-4.3		1.40	1.55	1.5	
RKTXX-2-11-6.0-A2	DC-6.0		1.55	1.60	1.8	
RKTXX-2-50-2.5-A2	DC-2.5	0-50dB 1dB step	1.30	1.35	1.0	
RKTXX-2-70-2.5-A2	DC-2.5	0-70dB 1dB step	1.30	1.45	1.0	±0.5 (≤10dB) ±3% (<70dB) ±3.5% (70dB)
RKTXX-2-70-3.0-A2	DC-3.0		1.35	1.45	1.2	
RKTXX-2-70-4.3-A2	DC-4.3		1.40	1.55	1.5	
RKTXX-2-70-6.0-A2	DC-6.0		1.55	1.60	1.8	
RKTXX-2-100-2.5-A2	DC-2.5	0-100dB 1dB step	1.30	1.45	1.0	±0.5 (≤10dB) ±3% (<70dB) ±3.5% (≥70dB)
RKTXX-2-100-3.0-A2	DC-3.0		1.35	1.45	1.2	

Mechanical properties :

connector housing	Nickel Plated Brass
Yin internal conductor	Beryllium bronze gold plating
Cavity	Nickel Plated Brass

Naming rules :

