

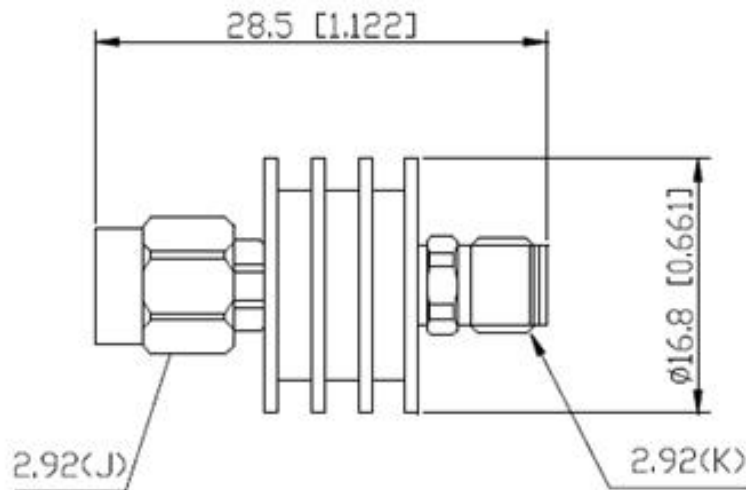
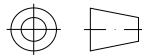


Coaxial Attenuator

Features and Electrical specifications:

Model	ATXXRA05A-2.92-40			
Frequency Range	DC~40.0GHz			
VSWR	1.35Max			
Power	5 W			
Impedance	50 Ω			
Attenuation	1-10dB	15dB	20dB/30dB	40dB
Attenuation Tolerance	± 1.0dB	± 1.0dB	± 1.3dB	± 2.0dB
Connector	2.92-J(M)/2.92-K(F)			
Dimension	Φ15.8×17.8mm			
Operating Temperature	-55 ~ +125°C (See de Power De-rating)			
Weight	About 30 g			
ROHS Compliant	Yes			

Outline Drawing (Unit: mm/inch):



RFTYT Technology Co., LTD.

<http://www.rfyt.com>

E-mail: Jackson@rfyt.com

Carmen.wu@rfyt.com

TEL: +86-13088268828

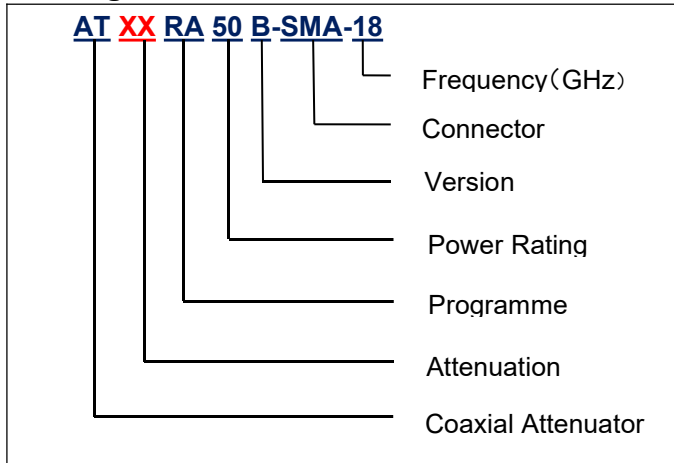
FAX: +86-816-2846565

218# Wenwu Middle Road, Jinkai District, Mianyang, Sichuan Province China

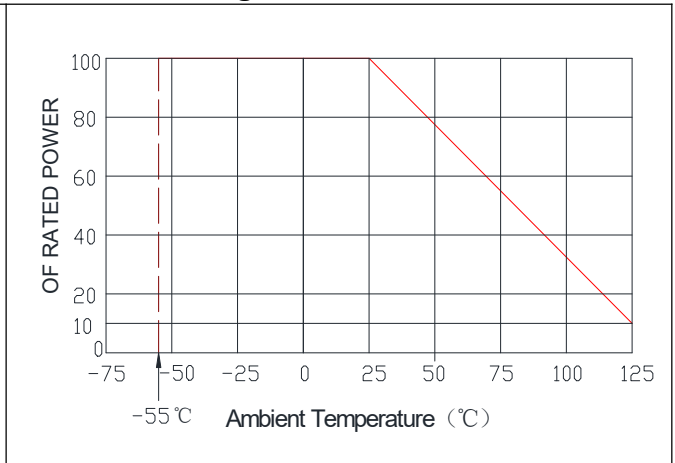
Ready For Tackling Your Trouble



Naming rules:



Power De-rating:



Use attention:

- 1、 Dimensions Tolerance $\pm 3\%$;
- 2、 If necessary, the product shall be air-cooled for auxiliary heat dissipation ;
- 3、 Custom designs available of other special attenuators ;
- 4、 Pay attention to the direction of the product during use and strictly prohibit reverse connection 。