

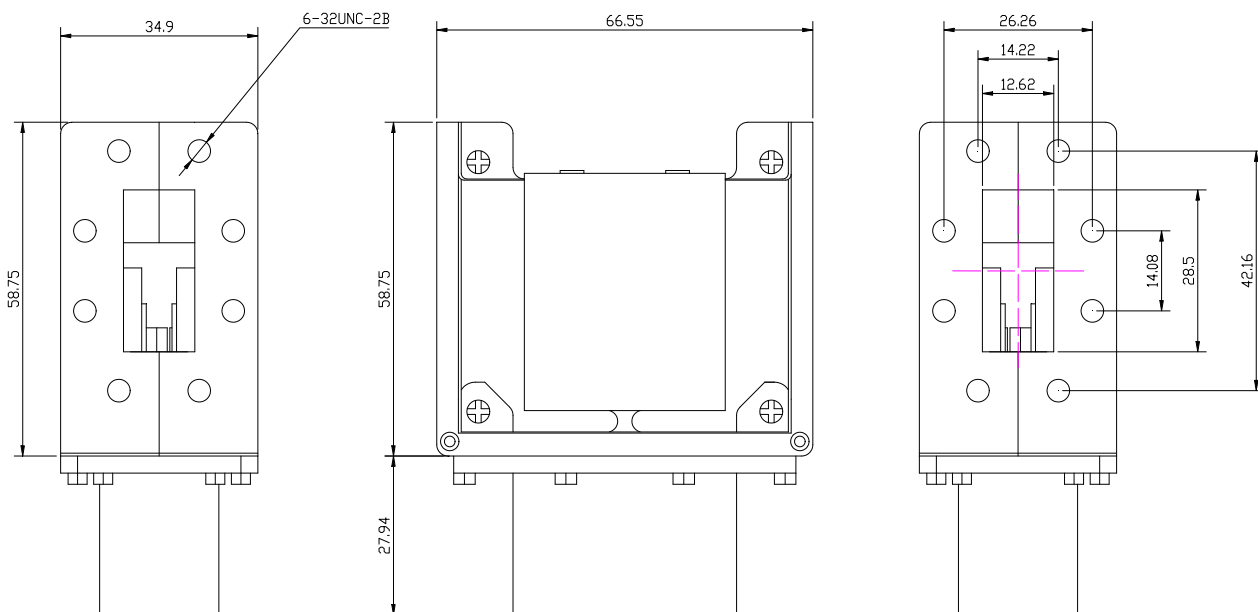
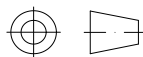


## Waveguide Isolator

### ◆ Specifications

01	Model	BG6658-WR112-50-1/7.9-8.5GHz (→clockwise) BG6658-WR112-50-2/7.9-8.5GHz (←anticlockwise)
02	Frequency Range	7.9-8.5 GHz
03	Insertion Loss (max)	0.2 dB
04	Isolation (min)	20 dB
05	VSWR (max)	1.20
06	Forward Power (max)	100 W CW
07	Reverse Power (max)	50 W
08	Connector Type	WR112

### ◆ Outline Drawing(Unit: mm)



Unit: mm, General part tolerance is  $\pm 5\%$  unless otherwise stated

RFTYT Technology Co., LTD.

E-mail: [jackson@rftyt.com](mailto:jackson@rftyt.com)

<http://www.rftyt.com>

The most important outcome is we build trust

TEL: +86-13088268828

FAX: +86-816-2846565

4th floor, building 9, 218 Wenwu Middle Road, Jinkai District, Mianyang, Sichuan, China