

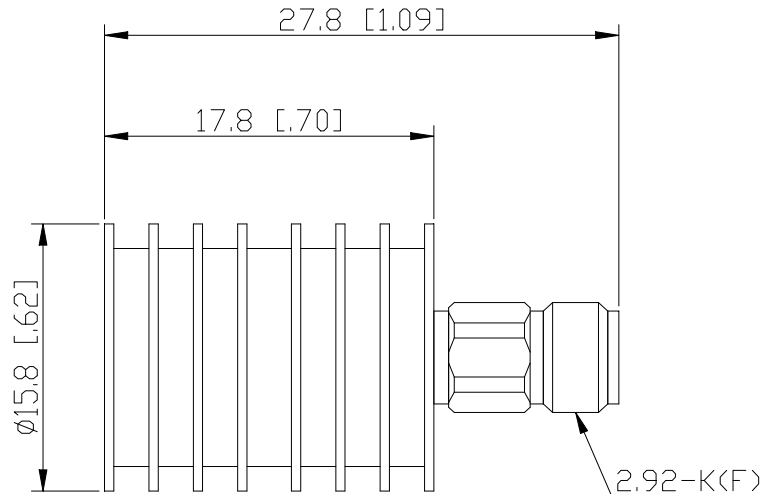


Coaxial Fixed Termination

Features and Electrical specifications:

| | |
|-----------------------|---------------------------------------|
| Model | CT-05W-RA1618-2.92K-40G |
| Frequency Range | DC~40.0GHz |
| VSWR | 1.25 Max |
| Power | 5W |
| Impedance | 50 Ω |
| Connector Type | 2.92-F (K) |
| Dimension | $\Phi 15.8 \times 17.8 \text{mm}$ |
| Operating Temperature | -55 ~ +125°C (See de Power De-rating) |
| Weight | 10 g |
| ROHS Compliant | Yes |

Outline Drawing (Unit: mm/inch):





Use attention:

- 1、 Dimensions Tolerance $\pm 3\%$;
- 2、 If necessary, the product shall be air-cooled for auxiliary heat dissipation;
- 3、 Custom designs available of other special Coaxial Terminations;
- 4、 Pay attention to the direction of the product during use and strictly prohibit reverse connection。

Power De-rating:



P/N Designation:

