

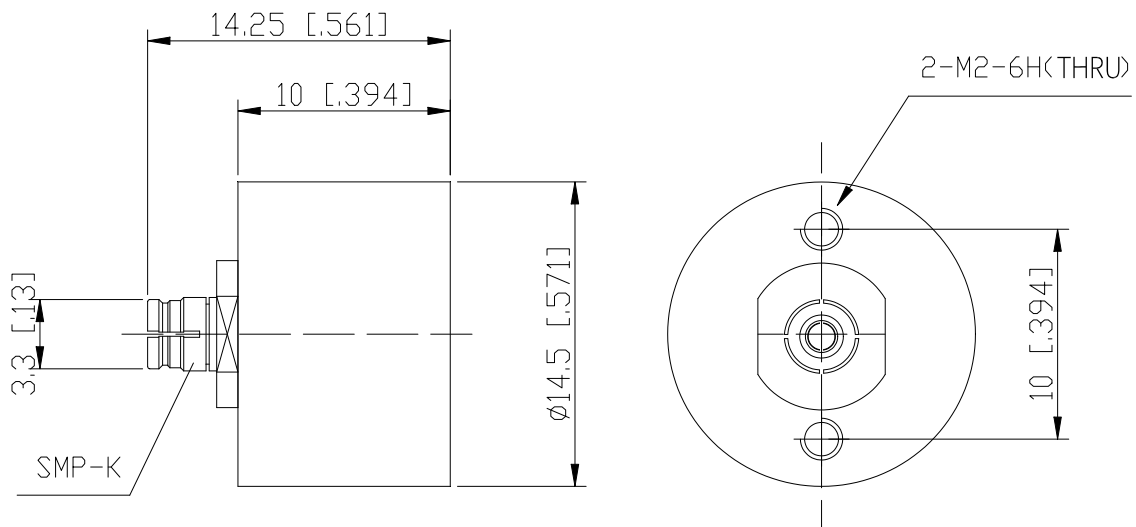


## Coaxial Fixed Termination

### Features and Electrical specifications:

Model	CT-10W-RA1015-SMPK-18G
Frequency Range	DC~18.0GHz
VSWR	1.50 Max
Power	10W
Impedance	50 $\Omega$
Connector Type	DIN-F (K)
Dimension	$\Phi 14.5 \times 15.4$ mm
Operating Temperature	-55 ~ +125°C (See de Power De-rating)
Weight	Around 9 g
ROHS Compliant	Yes

### Outline Drawing (Unit: mm/inch):

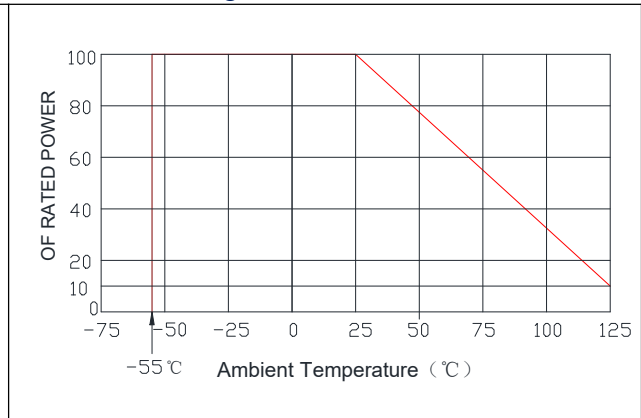




Use attention:

- 1、 Dimensions Tolerance  $\pm 3\%$ ;
- 2、 If necessary, the product shall be air-cooled for auxiliary heat dissipation;
- 3、 Custom designs available of other special Coaxial Terminations;
- 4、 Pay attention to the direction of the product during use and strictly prohibit reverse connection。

Power De-rating:



P/N Designation:

