

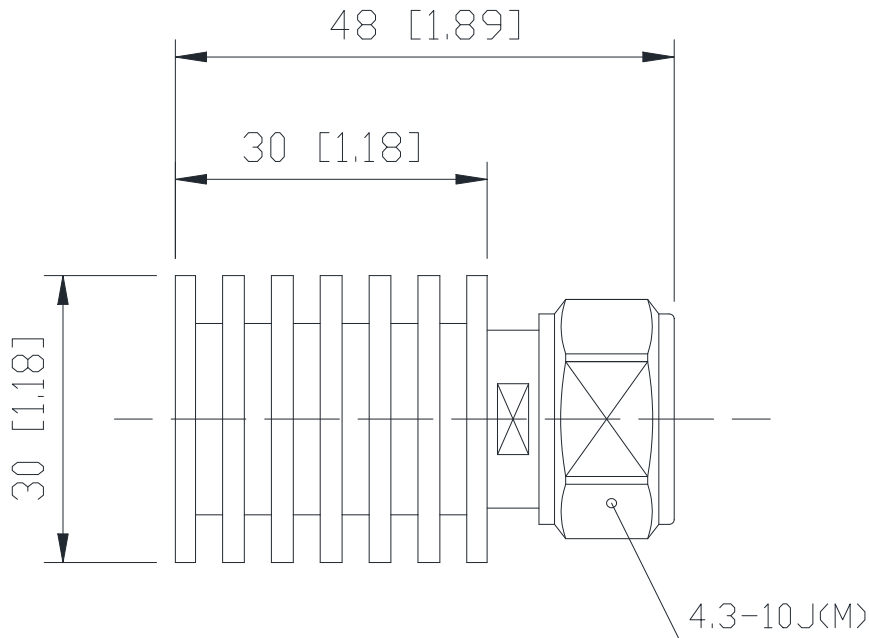


Coaxial Fixed Termination

Features and Electrical specifications:

| | |
|-----------------------|---------------------------------------|
| Model | CT-10W-RA3030-4310J-4G |
| Frequency Range | DC~4.0GHz |
| VSWR | 1.30 Max |
| Power | 10W |
| Impedance | 50 Ω |
| Connector Type | 4.3-10-M (J) |
| Dimension | $\Phi 30 \times 30$ mm |
| Operating Temperature | -55 ~ +125°C (See de Power De-rating) |
| Weight | Around 70g |
| ROHS Compliant | Yes |

Outline Drawing (Unit: mm/inch):



RFTYT Technology Co., LTD.

<http://www.rftyt.com>

E-mail: jackson@rftyt.com zqc7708@rftyt.com

TEL: +86-13088268828 FAX: +86-816-2846565

218# Wenwu Middle Road, Jinkai District, Mianyang, Sichuan Province China

Ready For Tackling Your Trouble



Use attention:

- 1、 Dimensions Tolerance $\pm 3\%$;
- 2、 If necessary, the product shall be air-cooled for auxiliary heat dissipation;
- 3、 Custom designs available of other special Coaxial Terminations;
- 4、 Pay attention to the direction of the product during use and strictly prohibit reverse connection。

Power De-rating:



P/N Designation:

