

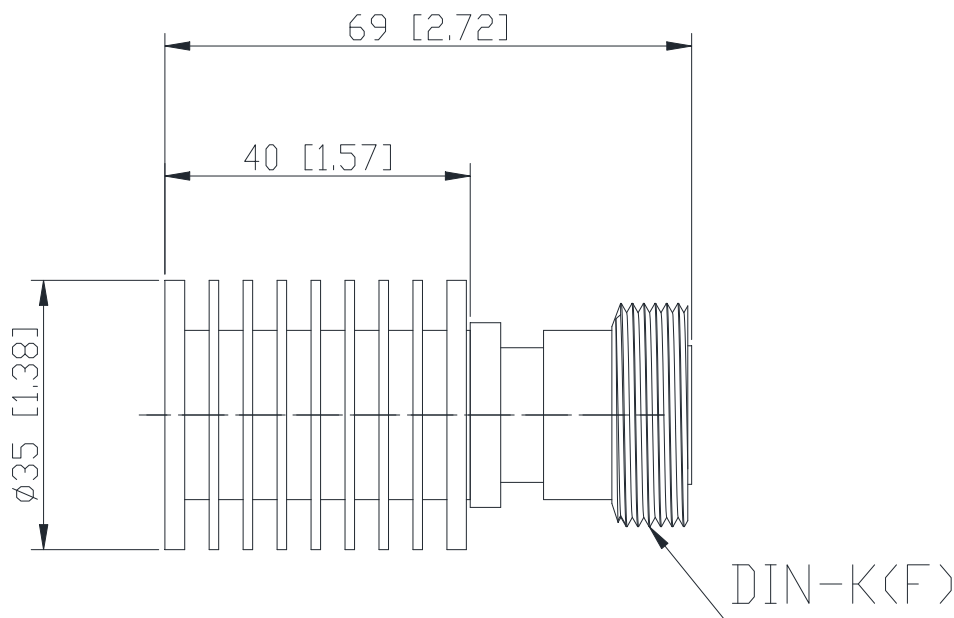
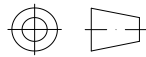


Low Intermodulation Termination

Features and Electrical specifications:

Model	CT-10W-RH3540-IP65-DINK-3G
Frequency Range	DC~3.0GHz
VSWR	1.20 Max
PIM3	≥140dBc@2*33dBm
Power	10W
Impedance	50 Ω
Connector Type	DIN-F (K)
Waterproof Grade	IP65
Dimension	Φ35×40mm
Operating Temperature	-55 ~ +125°C (See de Power De-rating)
Color	Black
Weight	Around 140 g

Outline Drawing (Unit: mm/inch):



RFTYT Technology Co., LTD.

<http://www.rftyt.com>

E-mail: jackson@rftyt.com zqc7708@rftyt.com

TEL: +86-13088268828 FAX: +86-816-2846565

218# Wenwu Middle Road, Jinkai District, Mianyang, Sichuan Province China

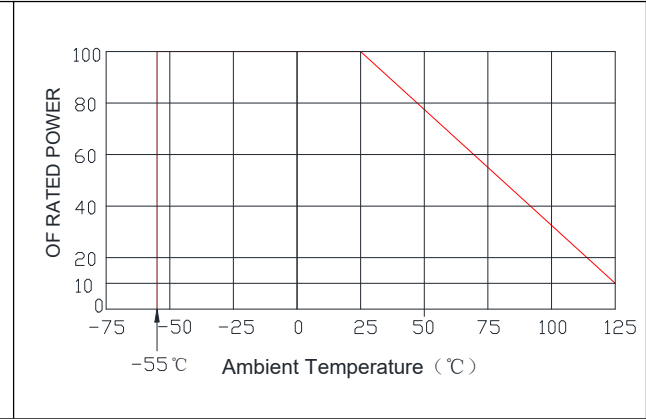
Ready For Tackling Your Trouble



Use attention:

- 1、 Dimensions Tolerance $\pm 5\%$;
- 2、 If necessary, the product shall be air-cooled for auxiliary heat dissipation;
- 3、 Custom designs available of other special Coaxial Terminations;
- 4、 Pay attention to the direction of the product during use and strictly prohibit reverse connection。

Power De-rating:



P/N Designation:

