

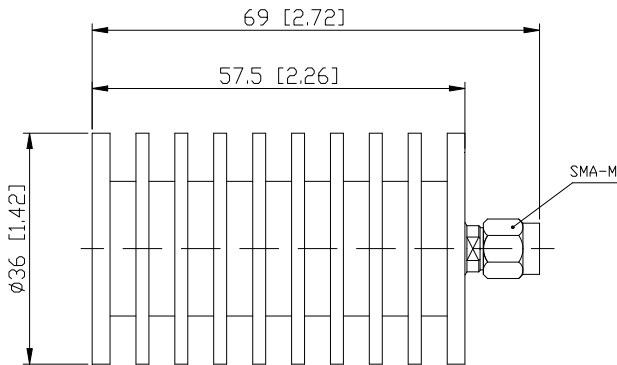


Coaxial Fixed Termination

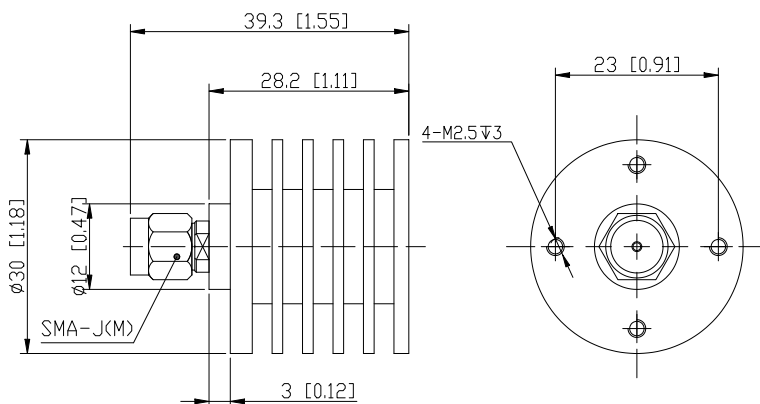
Features and Electrical specifications:

| | |
|-----------------------|---------------------------------------|
| Model | Please check on outline drawing |
| Frequency Range | DC~12.4GHz |
| VSWR | 1.25 Max |
| Power | 20W |
| Impedance | 50 Ω |
| Connector Type | SMA-M (J) |
| Dimension | Please check on outline drawing |
| Operating Temperature | -55 ~ +125°C (See de Power De-rating) |
| Weight | / g |
| ROHS Compliant | Yes |

Outline Drawing (Unit: mm/inch)



| Model | Weight |
|------------------------|------------|
| CT-20W-RA3657-SJ-12.4G | Around 92g |



| Model | Weight |
|-------------------------|---------------|
| CT-20W-RA3028B-SJ-12.4G | Around 36.5 g |

RFTYT Technology Co., LTD.

<http://www.rftyt.com>

E-mail: jackson@rftyt.com zqc7708@rftyt.com

TEL: +86-13088268828 FAX: +86-816-2846565

218# Wenwu Middle Road, Jinkai District, Mianyang, Sichuan Province China

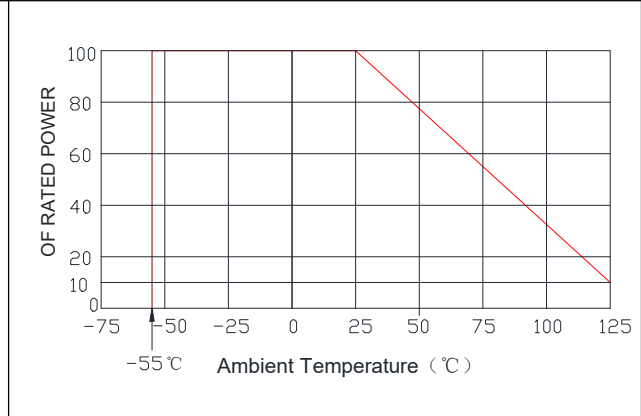
Ready For Tackling Your Trouble



Use attention:

- 1、 Dimensions Tolerance $\pm 3\%$;
- 2、 If necessary, the product shall be air-cooled for auxiliary heat dissipation;
- 3、 Custom designs available of other special Coaxial Terminations;
- 4、 Pay attention to the direction of the product during use and strictly prohibit reverse connection。

Power De-rating:



P/N Designation:

