

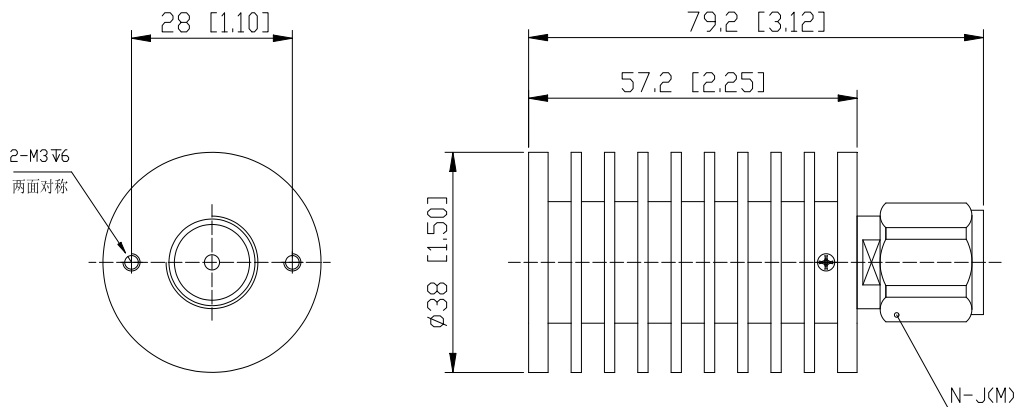


## Coaxial Fixed Termination

### Features and Electrical specifications:

|                       |                                       |
|-----------------------|---------------------------------------|
| Model                 | CT-30W-RA3857-NJ-4G                   |
| Frequency Range       | DC~4.0GHz                             |
| VSWR                  | 1.20 Max                              |
| Power                 | 30W                                   |
| Impedance             | 50 Ω                                  |
| Connector Type        | N-M (J)                               |
| Dimension             | Φ38×57.2mm                            |
| Operating Temperature | -55 ~ +125°C (See de Power De-rating) |
| Weight                | Around 148 g                          |
| ROHS Compliant        | Yes                                   |

### Outline Drawing (Unit: mm/inch):





Use attention:

- 1、 Dimensions Tolerance  $\pm 3\%$ ;
- 2、 If necessary, the product shall be air-cooled for auxiliary heat dissipation;
- 3、 Custom designs available of other special Coaxial Terminations;
- 4、 Pay attention to the direction of the product during use and strictly prohibit reverse connection。

Power De-rating:



P/N Designation:

