

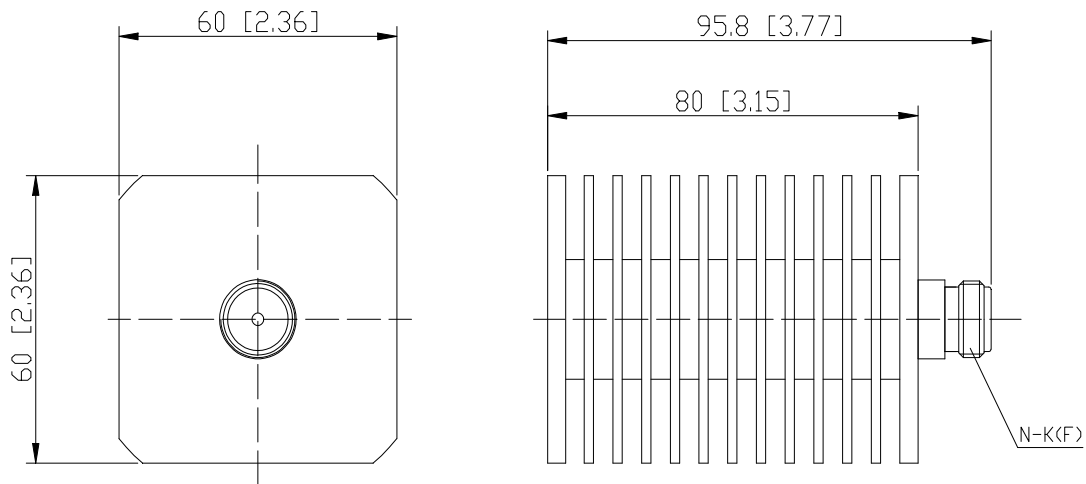
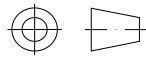


# Low Intermodulation Termination

## Features and Electrical specifications:

Model	CT-50W-FH6080-IP65-NK-3G
Frequency Range	DC~3.0GHz
VSWR	1.20 Max
PIM3	≥120dBc@2*33dBm
Power	50W
Impedance	50 Ω
Connector Type	N-F (K)
Waterproof Grade	IP65
Dimension	60×60×80mm
Operating Temperature	-55 ~ +125°C (See de Power De-rating)
Color	Black
Weight	Around 365 g

Outline Drawing (Unit: mm/inch):



**RFTYT Technology Co., LTD.**

<http://www.rfyt.com>

E-mail: [jackson@rfyt.com](mailto:jackson@rfyt.com)      [zqc7708@rfyt.com](mailto:zqc7708@rfyt.com)

TEL: +86-13088268828      FAX: +86-816-2846565

218# Wenwu Middle Road, Jinkai District, Mianyang, Sichuan Province China

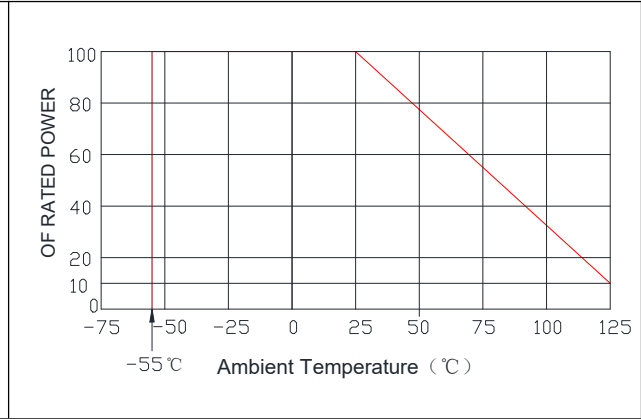
**Ready For Tackling Your Trouble**



**Use attention:**

- 1、 Dimensions Tolerance  $\pm 5\%$ ;
- 2、 If necessary, the product shall be air-cooled for auxiliary heat dissipation;
- 3、 Custom designs available of other special Coaxial Terminations;
- 4、 Pay attention to the direction of the product during use and strictly prohibit reverse connection.

**Power De-rating:**



**P/N Designation:**

