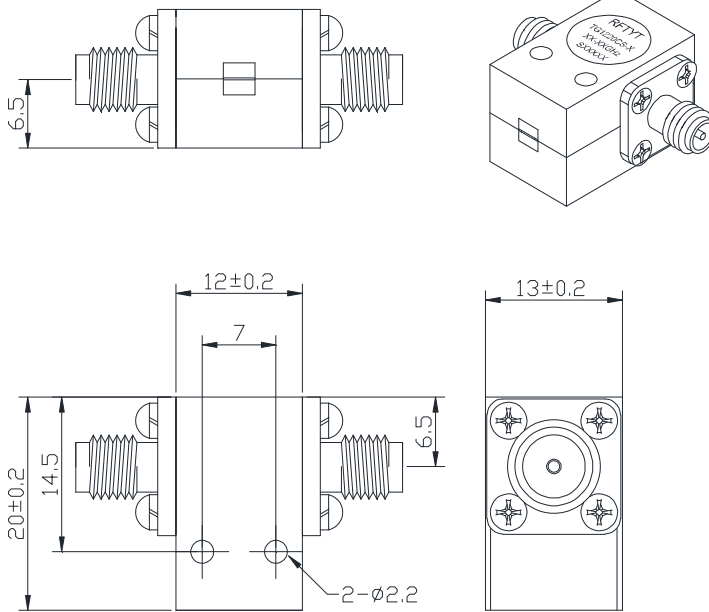


9.0 to 18.GHz Coaxial Isolator

TG1220CS SMA Type

Outline Drawing (mm):



Features:

- ◇ Good temperature stability
- ◇ Withstand high power
- ◇ RoHS compliant
- ◇ Weight : ≈ 18 g

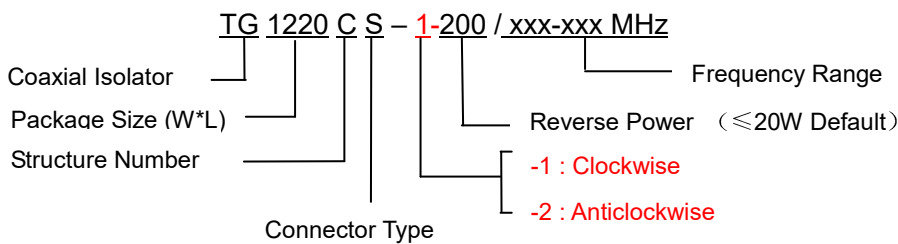
Material list:

- ◇ Cavity: aluminum conductive oxidation
- ◇ Outer shell: industrial pure iron nickel plating
- ◇ Inner conductor: silver plated brass

Application:

- ◇ Rf amplifier final stage, protect the amplifier
- ◇ Digital communication
- ◇ Satellite communication
- ◇ GSM/CDMA/TD-SCDMA/WCDMA
EGSM/Wimax/TD-LTE/AMPS/SMR
5G and other communication systems

Order Examples:



Connector Type:

SMA Type Connector Options			N Type Connector Options		
Port 1	Port 2	Abbreviation	Port 1	Port 2	Abbreviation
SMA-F	SMA-F	S	N-F	N-F	N
SMA-F	SMA-M	SKJ	N-F	M-F	NKJ
SMA-M	SMA-F	SJK	N-M	N-F	NJK
SMA-M	SMA-M	SJ	N-M	N-M	NJ

Basic Specifications :

Impedance	50 Ω
Connector Type	SMA-F
Size(mm)	12.0*20.0*13.0
Operating Temp	-10~+60 $^{\circ}$ C
Storage temperature	-50~+90 $^{\circ}$ C

Specifications :

Model No. (X=1: \rightarrow Clockwise) (X=2: \leftarrow Anticlockwise)	Freq. Range GHz	IL. dB (max)	Isolation dB (min)	VSWR	Forward Power CW	Reverse Power W
TG1220CS-X/9.3-9.5GHz	9.3-9.5	0.30	23.0	1.20	30	5
TG1220CS-X/9.3-9.6GHz	9.3-9.6	0.40	18.0	1.30	30	5
TG1220CS-X/10.0-13.0GHz	10.0-13.0	0.40	21.0	1.25	30	5
TG1220CS-X/10.0-15.0GHz	10.0-15.0	0.60	18.0	1.35	30	5
TG1220CS-X/10.5-12.5GHz	10.5-12.5	0.40	20.0	1.20	30	5
TG1220CS-X/10.5-15.0GHz	10.5-15.0	0.60	18.0	1.35	30	5
TG1220CS-X/10.6-12.7GHz	10.6-12.7	0.40	20.0	1.25	30	5
TG1220CS-X/10.7-12.8GHz	10.7-12.8	0.40	20.0	1.20	30	5
TG1220CS-X/10.7-13.3GHz	10.7-13.3	0.60	18.0	1.30	30	5
TG1220CS-X/10.95-12.2GHz	10.95-12.2	0.40	20.0	1.25	30	5
TG1220CS-X/11.0-14.5GHz	11.0-14.5	0.60	18.0	1.35	30	5
TG1220CS-X/12.0-18.0GHz	12.0-18.0	0.60	18.0	1.35	30	5
TG1220CS-X/12.7-14.9GHz	12.7-14.9	0.40	20.0	1.20	30	5
TG1220CS-X/13.0-15.0GHz	13.0-15.0	0.40	21.0	1.20	30	5
TG1220CS-X/13.75-15.0GHz	13.75-15.0	0.40	20.0	1.25	30	5
TG1220CS-X/14.1-15.4GHz	14.1-15.4	0.60	20.0	1.30	30	5
TG1220CS-X/14.3-14.5GHz	14.3-14.5	0.30	23.0	1.20	30	5
TG1220CS-X/14.3-14.8GHz	14.3-14.8	0.40	20.0	1.20	30	5
TG1220CS-X/14.5-16.5GHz	14.5-16.5	0.40	20.0	1.20	30	5
TG1220CS-X/14.0-18.0GHz	14.0-18.0	0.60	18.0	1.35	30	5

Model No. (X=1: →Clockwise) (X=2: ←Anticlockwise)	Freq. Range GHz	IL. dB (max)	Isolation dB (min)	VSWR	Forward Power CW	Reverse Power W
TG1220CS-X/15.0-17.0GHz	15.0-17.0	0.60	20.0	1.25	30	5
TG1220CS-X/15.5-16.0GHz	15.5-16.0	0.40	23.0	1.20	30	5
TG1220CS-X/16.0-18.5GHz	16.0-18.5	0.60	18.0	1.35	30	5

Instructions:

- 1, the isolator connector can be selected SMA male and female head, through the wall connection can be used with the user;
- 2, the reflected power is only 10W option;
- 3, only some common frequencies in the table, can be produced according to the user's requirements;
- 4, if you do not find what you are looking for, please contact us!