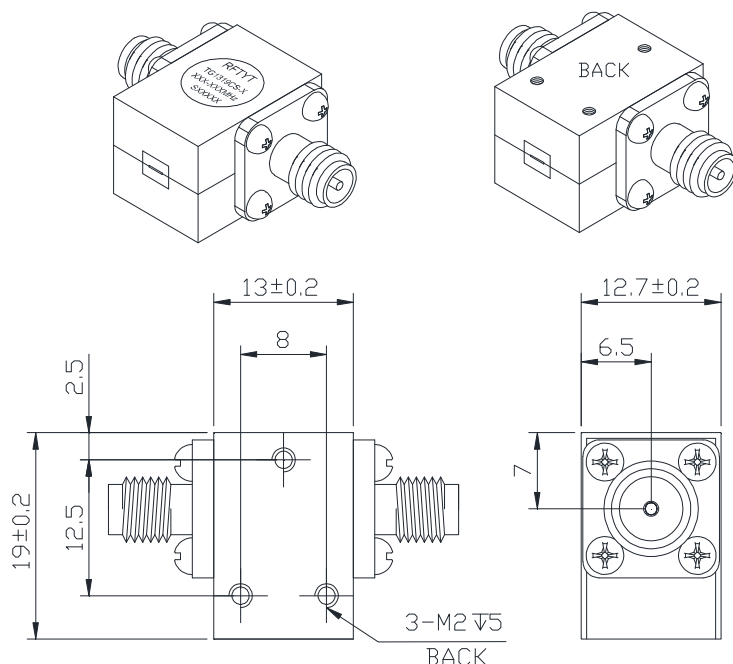


6.0 to 12.0GHz Coaxial Isolator

TG1319CS SMA Type

Outline Drawing (mm): 



Features:

- ◇ Good temperature stability
- ◇ Withstand high power
- ◇ RoHS compliant
- ◇ Weight : ≈ 20 g

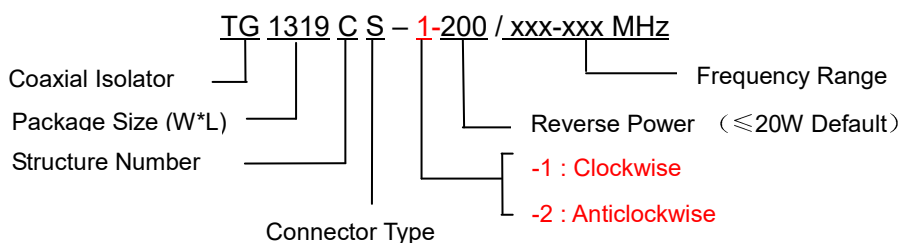
Material list:

- ◇ Cavity: aluminum conductive oxidation
- ◇ Housing: Industrial pure iron nickel plated
- ◇ Conductor: silver plated brass

Application:

- ◇ Rf amplifier final stage, protect the amplifier
- ◇ Digital communication
- ◇ Satellite communication
- ◇ GSM/CDMA/TD-SCDMA/WCDMA
EGSM/Wimax/TD-LTE/AMPS/SMR
5G and other communication systems

Order Examples:



Connector Type:

SMA Type Connector Options			N Type Connector Options		
Port 1	Port 2	Abbreviation	Port 1	Port 2	Abbreviation
SMA-F	SMA-F	S	N-F	N-F	N
SMA-F	SMA-M	SKJ	N-F	N-M	NKJ
SMA-M	SMA-F	SJK	N-M	N-F	NJK
SMA-M	SMA-M	SJ	N-M	N-M	NJ

Basic Specifications :

Impedance	50 Ω
Connector Type	SMA-F
Size(mm)	13.0*19.0*12.7
Operating Temp	-10~+60 $^{\circ}$ C
Storage temperature	-50~+90 $^{\circ}$ C

Specifications :

Model No. (X=1: \rightarrow Clockwise) (X=2: \leftarrow Anticlockwise)	Freq. Range GHz	IL. dB (max)	Isolation dB (min)	VSWR	Forward Power CW	Reverse Power W
TG1319CS-X/6.0-7.0GHz	6.0-7.0	0.50	18.0	1.30	30	10
TG1319CS-X/6.0-8.0GHz	6.0-8.0	0.50	18.0	1.35	30	10
TG1319CS-X/6.0-10.0GHz	6.0-10.0	0.50	17.0	1.35	30	10
TG1319CS-X/6.0-12.0GHz	6.0-12.0	0.60	15.0	1.45	30	10
TG1319CS-X/6.6-7.0GHz	6.6-7.0	0.40	20.0	1.25	30	10
TG1319CS-X/6.8-7.0GHz	6.8-7.0	0.40	20.0	1.25	30	10
TG1319CS-X/7.0-9.0GHz	7.0-9.0	0.40	20.0	1.25	30	10
TG1319CS-X/7.0-11.0GHz	7.0-11.0	0.60	18.0	1.35	30	10
TG1319CS-X/7.0-12.0GHz	7.0-12.0	0.60	16.0	1.50	30	10
TG1319CS-X/7.5-9.0GHz	7.5-9.0	0.40	20.0	1.25	30	10
TG1319CS-X/7.7-8.5GHz	7.7-8.5	0.40	20.0	1.25	30	10
TG1319CS-X/7.7-9.0GHz	7.7-9.0	0.40	20.0	1.25	30	10
TG1319CS-X/7.9-8.4GHz	7.9-8.4	0.40	20.0	1.25	30	10
TG1319CS-X/7.9-9.0GHz	7.9-9.0	0.40	20.0	1.25	30	10
TG1319CS-X/8.0-8.5GHz	8.0-8.5	0.40	20.0	1.25	30	10
TG1319CS-X/8.0-9.0GHz	8.0-9.0	0.40	20.0	1.25	30	10
TG1319CS-X/8.0-10.0GHz	8.0-10.0	0.50	10.0	1.30	30	10
TG1319CS-X/8.0-11.0GHz	8.0-11.0	0.50	18.0	1.30	30	10
TG1319CS-X/8.0-12.0GHz	8.0-12.0	0.50	18.0	1.30	30	10
TG1319CS-X/8.0-12.4GHz	8.0-12.4	0.60	16.0	1.40	30	10

Model No. (X=1: →Clockwise) (X=2: ←Anticlockwise)	Freq. Range GHz	IL. dB (max)	Isolation dB (min)	VSWR	Forward Power CW	Reverse Power W
TG1319CS-X/8.3-8.4GHz	8.3-8.4	0.30	23.0	1.20	30	10
TG1319CS-X/8.5-9.5GHz	8.5-9.5	0.40	20.0	1.25	30	10
TG1319CS-X/8.9-9.1GHz	8.9-9.1	0.40	20.0	1.25	30	10
TG1319CS-X/8.55-9.35GHz	8.55-9.35	0.40	20.0	1.25	30	10
TG1319CS-X/9.0-10.0GHz	9.0-10.0	0.40	20.0	1.25	30	10
TG1319CS-X/9.1-9.6GHz	9.1-9.6	0.40	20.0	1.25	30	10
TG1319CS-X/9.1-9.7GHz	9.1-9.7	0.40	20.0	1.25	30	10
TG1319CS-X/9.3-9.6GHz	9.3-9.6	0.40	20.0	1.25	30	10
TG1319CS-X/9.7-11.7GHz	9.7-11.7	0.50	20.0	1.25	30	10
TG1319CS-X/9.9-10.1GHz	9.9-10.1	0.30	25.0	1.15	30	10
TG1319CS-X/9.85-10.15GHz	9.85-10.15	0.30	23.0	1.20	30	10
TG1319CS-X/10.4-10.6GHz	10.4-10.6	0.30	23.0	1.20	30	10
TG1319CS-X/10.7-13.3GHz	10.7-13.3	0.40	20.0	1.20	30	10

Instructions:

- 1, the isolator connector can be selected SMA male and female head, through the wall connection can be used with the user;
- 2, the reflected power is only 10W option;
- 3, only some common frequencies in the table, can be produced according to the user's requirements;
- 4, if you do not find what you are looking for, please contact us!