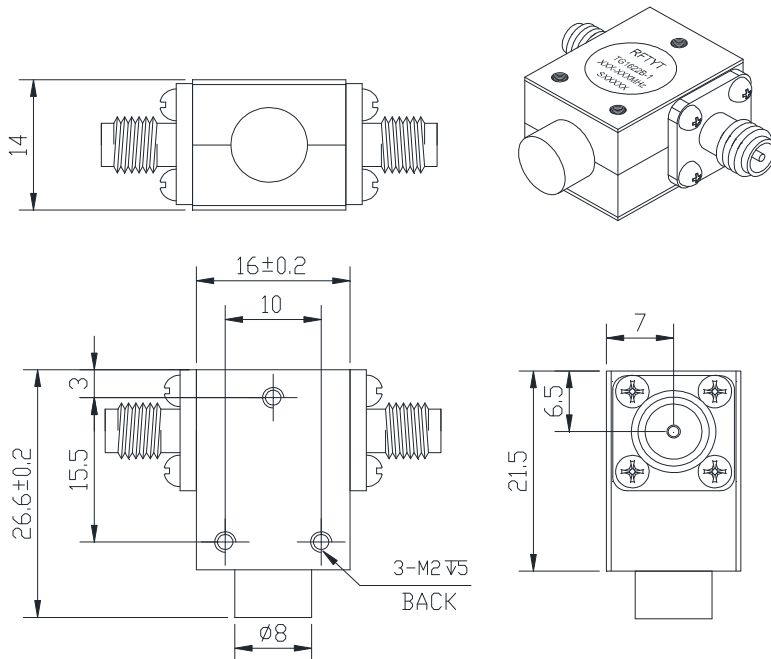


6.0 to 18.0GHz Coaxial Isolator

TG1622BS SMA Type

Outline Drawing (mm):



Features:

- ◇ Good temperature stability
- ◇ Withstand high power
- ◇ RoHS compliant
- ◇ Weight : \approx 43.5 g

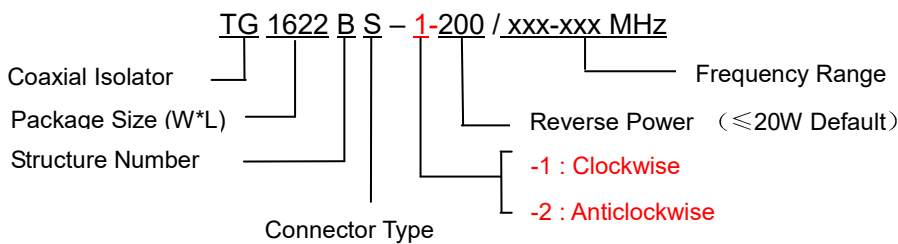
Material list:

- ◇ Cavity: aluminum conductive oxidation
- ◇ Outer shell: industrial pure iron nickel plating
- ◇ Guide body: Silver plated brass

Application:

- ◇ Rf amplifier final stage, protect the amplifier
- ◇ Digital communication
- ◇ Satellite communication
- GSM/CDMA/TD-SCDMA/WCDMA
- EGSM/Wimax/TD-LTE/AMPS/SMR
- 5G and other communication systems

Order Examples:



Connector Type:

SMA Type Connector Options			N Type Connector Options		
Port 1	Port 2	Abbreviation	Port 1	Port 2	Abbreviation
SMA-F	SMA-F	S	N-F	N-F	N
SMA-F	SMA-M	SKJ	N-F	N-M	NKJ
SMA-M	SMA-F	SJK	N-M	N-F	NJK
SMA-M	SMA-M	SJ	N-M	N-M	NJ

Basic Specifications :

Impedance	50 Ω
Connector Type	SMA-F
Size(mm)	16.0*26.6*14.0
Operating Temp	0~+60℃
Storage temperature	-50~+90 ℃

Specifications :

Model No. (X=1: →Clockwise) (X=2: ←Anticlockwise)	Freq. Range GHz	IL. dB (max)	Isolation dB (min)	VSWR	Forward Power CW	Reverse Power W
TG1622BS-X/6.0-12.0GHz	6.0-12.0	1.50	10.0	1.90	30	30
TG1622BS-X/6.0-18.0GHz	6.0-18.0	1.50	9.5	2.0	30	30
TG1622BS-X/8.0-18.0GHz	8.0-18.0	1.40	12.0	1.60	30	30
TG1622BS-X/12.0-18.0GHz	12.0-18.0	0.80	17.0	1.40	30	30
TG1622BS-X/13.75-14.5GHz	13.75-14.5	0.50	20.0	1.25	30	30
TG1622BS-X/14.5-16.5GHz	14.5-16.5	0.50	18.0	1.30	30	30
TG1622BS-X/15.0-18.0GHz	15.0-18.0	0.60	18.0	1.30	30	30
TG1622BS-X/16.0-18.0GHz	16.0-18.0	0.60	18.0	1.30	30	30

Instructions:

- 1, the isolator connector can be selected SMA male and female head, through the wall connection can be used with the user;
- 2, reflection power only 20W option;
- 3, only some common frequencies in the table, can be produced according to the user's requirements;
- 4, if you do not find what you are looking for, please contact us!