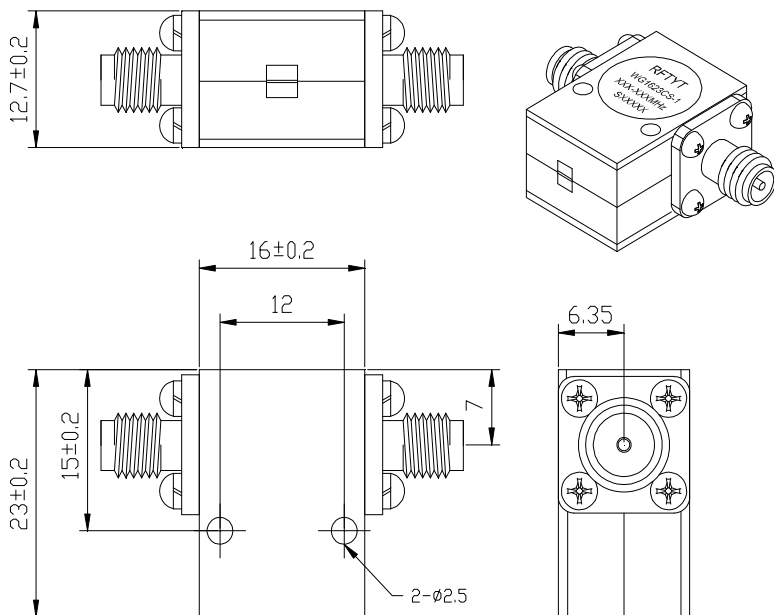
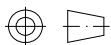


5.0 to 7.4GHz Coaxial Isolator

TG1623CS SMA Type

Outline Drawing (mm):



Features:

- ◇ Good temperature stability
- ◇ Withstand high power
- ◇ RoHS compliant
- ◇ Weight : $\approx 20g$

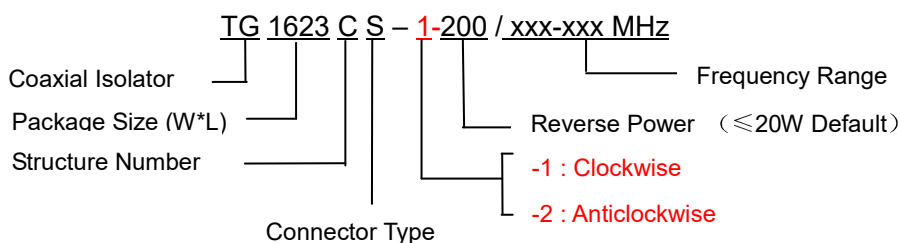
Material list:

- ◇ Cavity: aluminum conductive oxidation
- ◇ Outer shell: industrial pure iron nickel plating
- ◇ Guide body: Silver plated brass

Application:

- ◇ Rf amplifier final stage, protect the amplifier
- ◇ Digital communication
- ◇ Satellite communication
- GSM/CDMA/TD-SCDMA/WCDMA
- EGSM/Wimax/TD-LTE/AMPS/SMR
- 5G and other communication systems

Order Examples :



Connector Type:

SMA Type Connector Options			N Type Connector Options		
Port 1	Port 2	Abbreviation	Port 1	Port 2	Abbreviation
SMA-F	SMA-F	S	N-F	N-F	N
SMA-F	SMA-M	SKJ	N-F	N-M	NKJ
SMA-M	SMA-F	SJK	N-M	N-F	NJK
SMA-M	SMA-M	SJ	N-M	N-M	NJ

Basic Specifications :

Impedance	50 Ω
Connector Type	SMA-F
Size(mm)	16.0*23.0*12.7
Operating Temp	-30~+75℃
Storage temperature	-50~+90 ℃

Specifications :

Model No. (X=1: →Clockwise) (X=2: ←Anticlockwise)	Freq. Range GHz	IL. dB (max)	Isolation dB (min)	VSWR	Forward Power CW	Reverse Power W
TG1623CS-X/5.0-6.0GHz	5.0-6.0	0.60	18.0	1.30	100	10
TG1623CS-X/5.1-5.9GHz	5.1-5.9	0.50	20.0	1.25	100	10
TG1623CS-X/5.4-5.5GHz	5.4-5.5	0.30	23.0	1.20	100	10
TG1623CS-X/5.6-7.0GHz	5.6-7.0	0.40	20.0	1.25	100	10
TG1623CS-X/5.7-5.9GHz	5.7-5.9	0.30	23.0	1.20	100	10
TG1623CS-X/5.8-6.7GHz	5.8-6.7	0.50	17.0	1.30	100	10
TG1623CS-X/6.4-7.4GHz	6.4-7.4	0.40	20.0	1.25	100	10
TG1623CS-X/6.57-6.87GHz	6.57-6.87	0.30	20.0	1.20	100	10
TG1623CS-X/6.7-7.1GHz	6.7-7.1	0.40	20.0	1.20	100	10

Instructions:

- 1, the isolator connector can be selected SMA male and female head, through the wall connection can be used with the user;
- 2, reflection power only 20W option;
- 3, only some common frequencies in the table, can be produced according to the user's requirements;
- 4, if you do not find what you are looking for, please contact us!