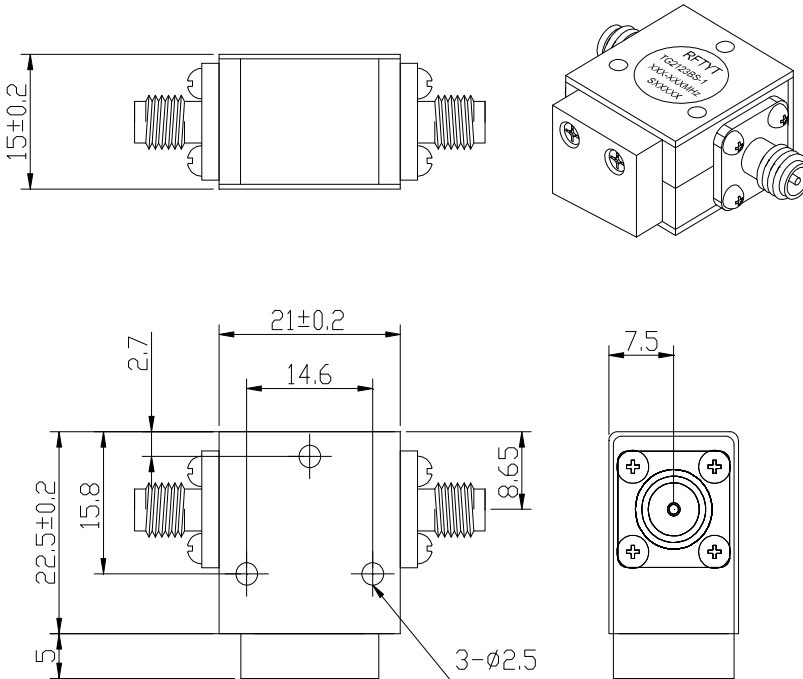


4.0 to 8.0GHz Coaxial Isolator

TG2123BS SMA Type

Outline Drawing (mm):



Features:

- ◇ Good temperature stability
- ◇ Withstand high power
- ◇ RoHS compliant
- ◇ Weight : \approx 32g

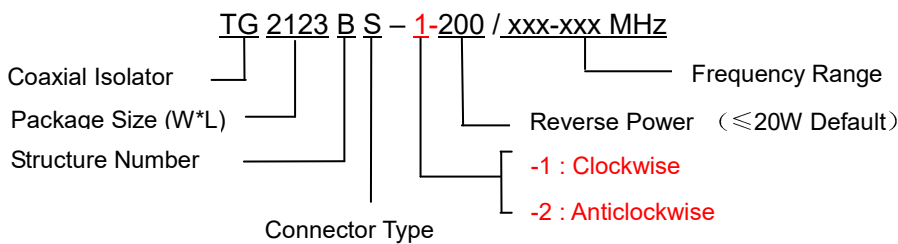
Material list:

- ◇ Cavity: aluminum conductive oxidation
- ◇ Outer shell: industrial pure iron nickel plating
- ◇ Guide body: Silver plated brass
- ◇ Load chamber: aluminum conductive oxidation

Application:

- ◇ Rf amplifier final stage, protect the amplifier
- ◇ Digital communications, satellite communications
- ◇ GSM/CDMA/TD-SCDMA/WCDMA
EGSM/Wimax/TD-LTE/AMPS/SMR
5G and other communication systems

Order Examples :



Connector Type:

SMA Type Connector Options			N Type Connector Options		
Port 1	Port 2	Abbreviation	Port 1	Port 2	Abbreviation
SMA-F	SMA-F	S	N-F	N-F	N
SMA-F	SMA-M	SKJ	N-F	N-M	NKJ
SMA-M	SMA-F	SJK	N-M	N-F	NJK
SMA-M	SMA-M	SJ	N-M	N-M	NJ

Basic Specifications :

Impedance	50 Ω
Connector Type	SMA-F
Size(mm)	21.0*22.5*15.0
Operating Temp	-10~+60℃
Storage temperature	-30~+70℃

Specifications :

Model No. (X=1: →Clockwise) (X=2: ←Anticlockwise)	Freq. Range GHz	IL. dB (max)	Isolation dB (min)	VSWR	Forward Power CW	Reverse Power W
TG2123BS-X/4.0-7.0GHz	4.0-7.0	0.50	18.0	1.30	50	10
TG2123BS-X/4.0-7.2GHz	4.0-7.2	0.50	18.0	1.30	50	10
TG2123BS-X/4.0-8.0GHz	4.0-8.0	0.60	18.0	1.30	50	10
TG2123BS-X/5.0-7.0GHz	5.0-7.0	0.40	20.0	1.25	50	10
TG2123BS-X/5.0-8.0GHz	5.0-8.0	0.50	19.0	1.25	50	10
TG2123BS-X/6.0-8.0GHz	6.0-8.0	0.40	19.0	1.25	50	10

Instructions:

- 1, the isolator connector can be selected SMA male and female head, through the wall connection can be used with the user;
- 2, reflection power only 20W option;
- 3, only some common frequencies in the table, can be produced according to the user's requirements;
- 4, if you do not find what you are looking for, please contact us!