

## 3.0 to 6.0GHz Coaxial Isolator

### TG2528CN N Type

#### Outline Drawing (mm):



#### Features:

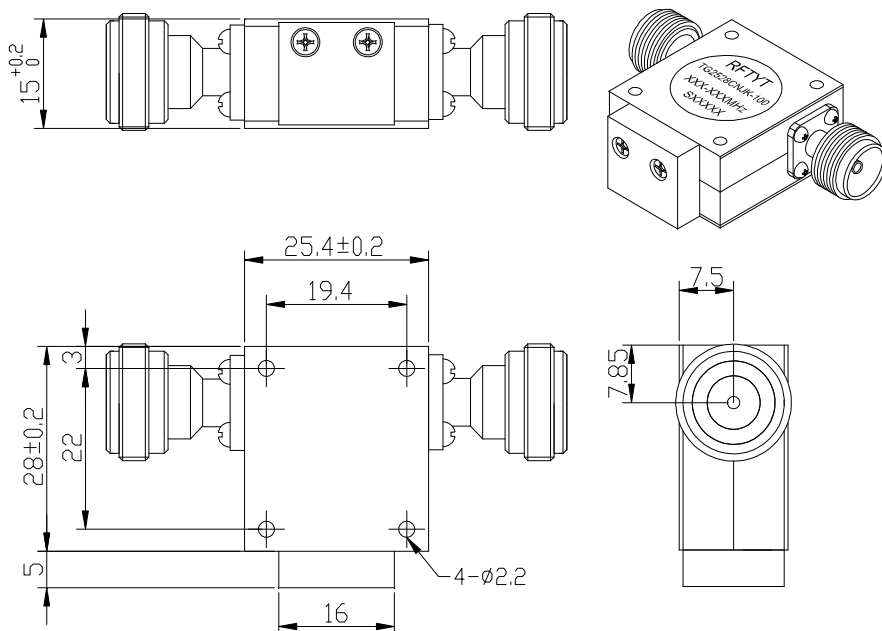
- ◇ Good temperature stability
- ◇ Withstand high power
- ◇ RoHS compliant
- ◇ Weight :  $\approx 48$  g

#### Material list:

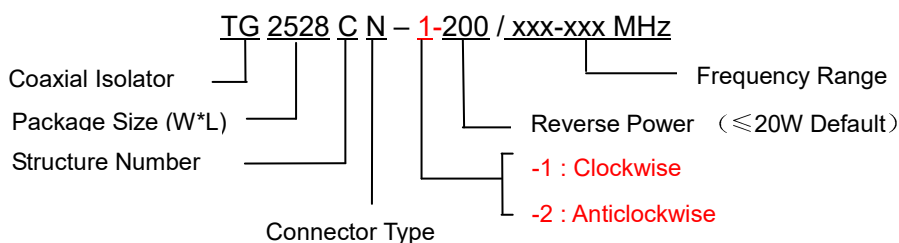
- ◇ Cavity: aluminum conductive oxidation
- ◇ Outer shell: industrial pure iron nickel plating
- ◇ Guide body: Silver plated brass
- ◇ Load chamber: aluminum conductive oxidation

#### Application:

- ◇ Rf amplifier final stage, protect the amplifier
- ◇ Digital communications, satellite communications
- ◇ GSM/CDMA/TD-SCDMA/WCDMA  
EGSM/Wimax/TD-LTE/AMPS/SMR  
5G and other communication systems



#### Order Examples:



#### Connector Type:

SMA Type Connector Options			N Type Connector Options		
Port 1	Port 2	Abbreviation	Port 1	Port 2	Abbreviation
SMA-F	SMA-F	S	N-F	N-F	N
SMA-F	SMA-M	SKJ	N-F	N-M	NKJ
SMA-M	SMA-F	SJK	N-M	N-F	NJK
SMA-M	SMA-M	SJ	N-M	N-M	NJ

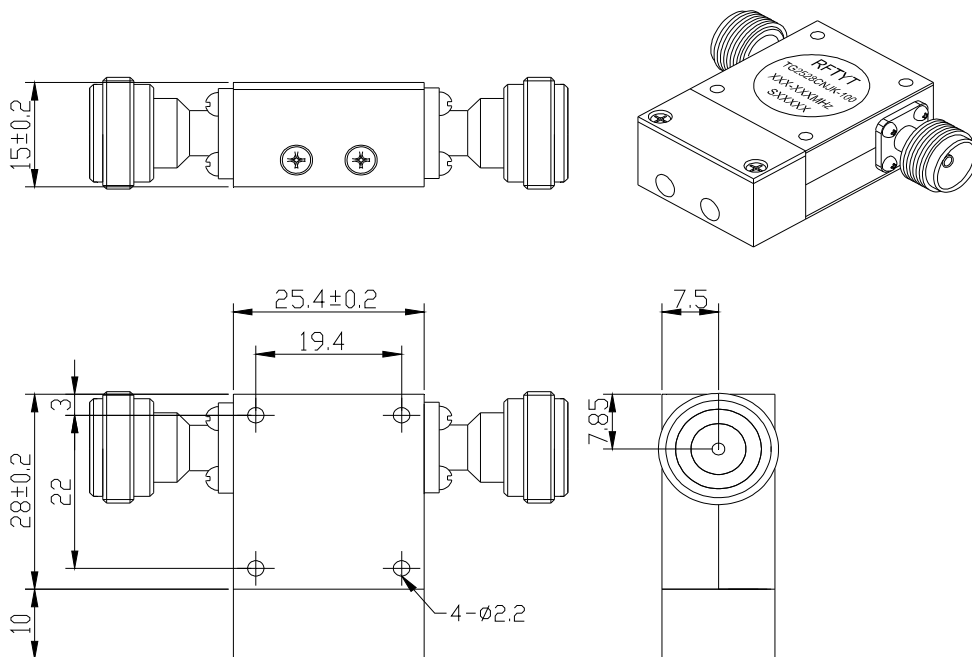
### Basic Specifications :

Impedance	50 Ω
Connector Type	N-F
Size(mm)	25.4*28.0*14.0
Operating Temp	-10~+60°C
Storage temperature	-50~+90 °C

### Specifications :

Model No. (X=1: →Clockwise) (X=2: ←Anticlockwise)	Freq. Range GHz	IL. dB (max)	Isolation dB (min)	VSWR	Forward Power CW	Reverse Power W
TG2528CN-X/3000-4000MHz	3.0-4.0	0.40	20.0	1.20	150	20/100
TG2528CN-X/3000-5000MHz	3.0-5.0	0.50	18.0	1.25	150	20/100
TG2528CN-X/3000-6000MHz	3.0-6.0	0.50	18.0	1.30	150	20/100
TG2528CN-X/4000-5000MHz	4.0-5.0	0.40	20.0	1.25	150	20/100
TG2528CN-X/4000-6000MHz	4.0-6.0	0.45	20.0	1.25	150	20/100
TG2528CN-X/5000-6000MHz	5.0-6.0	0.40	18.0	1.30	150	20/100

Reflected power 100W size diagram



The reflected power of this figure is 100W, the indicators are shown in the table above, and its model is  
TG2528CN-X-100/XXX-XXXMHz



**Instructions:**

- 1, the isolator connector can be selected SMA, N, male and female head can be used with the user;
- 2, the reflection power is commonly used 20W and 100W options, you can also configure the total reflection power according to user requirements;
- 3, only some common frequencies in the table, can be produced according to the user's requirements;
- 4, if you do not find what you are looking for, please contact us!