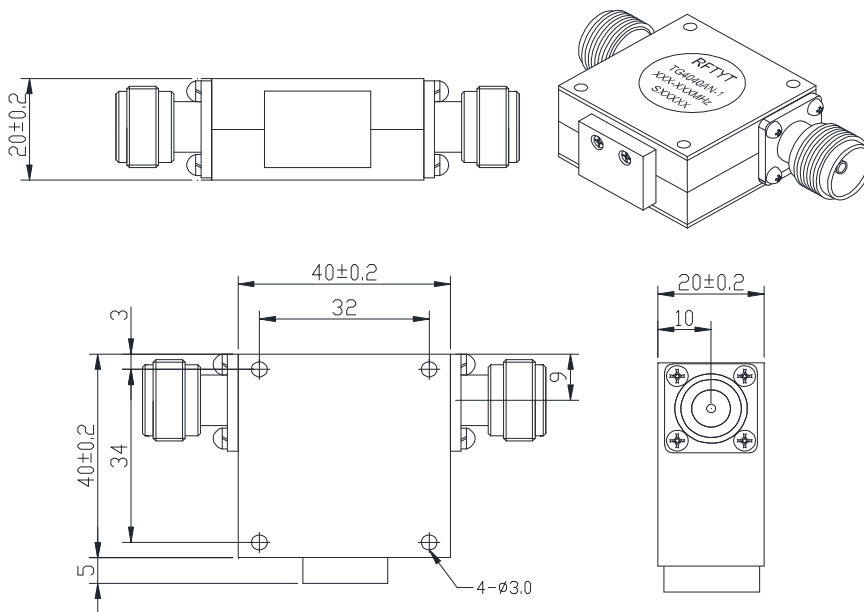


## 1.5 to 3.0GHz Coaxial Isolator

### TG4040AN N Type



#### Outline Drawing (mm):



#### Features:

- ◇ Good temperature stability
- ◇ Withstand high power
- ◇ RoHS compliant
- ◇ Weight :  $\approx$  180 g

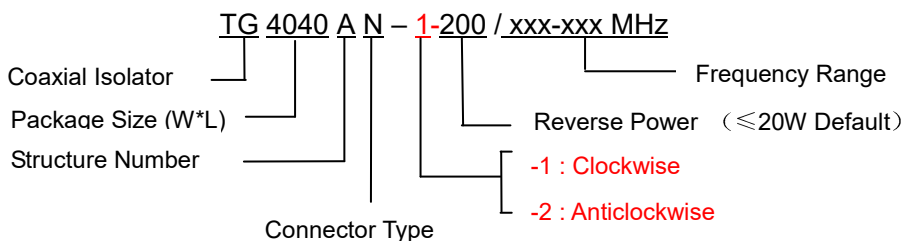
#### Material list:

- ◇ Cavity: aluminum conductive oxidation
- ◇ Outer shell: industrial pure iron nickel plating
- ◇ Guide body: Silver plated brass
- ◇ Load chamber: aluminum conductive oxidation

#### Application:

- ◇ Rf amplifier final stage, protect the amplifier
- ◇ Digital communications, satellite communications
- ◇ International Maritime satellite Communications
- ◇ GSM/CDMA/TD-SCDMA/WCDMA
- ◇ EGSM/Wimax/TD-LTE/AMPS/SMR
- ◇ 5G and other communication systems

#### Order Examples:



#### Connector Type:

SMA Type Connector Options			N Type Connector Options		
Port 1	Port 2	Abbreviation	Port 1	Port 2	Abbreviation
SMA-F	SMA-F	S	N-F	N-F	N
SMA-F	SMA-M	SKJ	N-F	N-M	NKJ
SMA-M	SMA-F	SJK	N-	N-F	NJK
SMA-M	SMA-M	SJ	N-M	N-M	NJ

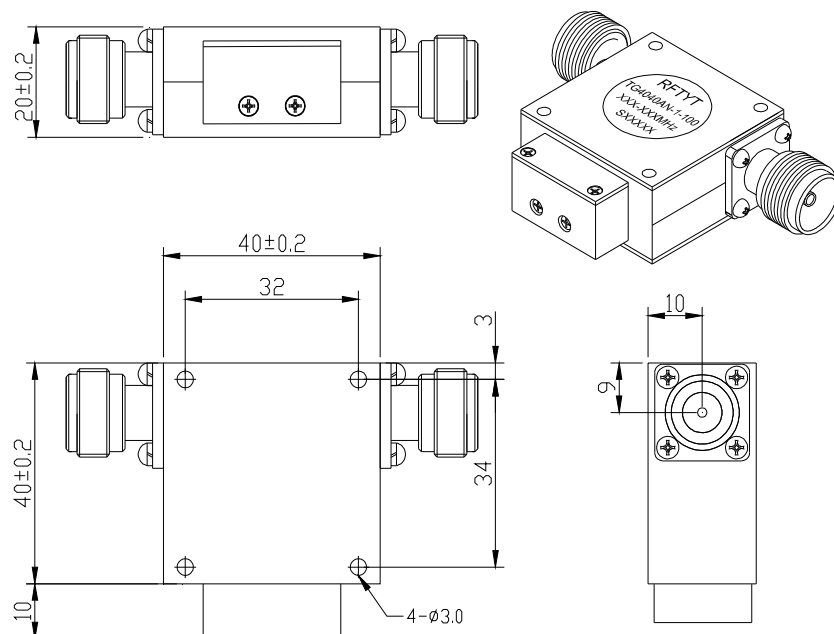
Basic Specifications :

Impedance	50 $\Omega$
Connector Type	N-F
Size(mm)	40.0*40.0*20.0
Operating Temp	-10~+60 $^{\circ}$ C
Storage temperature	-50~+90 $^{\circ}$ C

Specifications :

Model No. (X=1: →Clockwise) (X=2: ←Anticlockwise)	Freq. Range GHz	IL. dB (max)	Isolation dB (min)	VSWR	Forward Power CW	Reverse Power W
TG4040AS-X/1.5-3.0GHz	1.5-3.0	0.60	17.0	1.35	100	20/100
TG4040AS-X/1.7-2.7GHz	1.7-2.7	0.50	18.0	1.30	100	20/100
TG4040AS-X/1.8-2.7GHz	1.8-2.7	0.50	18.0	1.30	100	20/100
TG4040AS-X/1.8-3.6GHz	1.8-3.6	0.60	17.0	1.35	100	20/100

Reflected power 100W size diagram



The reflected power of this figure is 100W, the specifications are the same as the table, model  
**TG4040AN-X-100/XXX-XXXMHz**



### Instructions:

- 1, the isolator connector can be selected SMA, N, male and female head can be used with the user;
- 2, the reflection power is commonly used 20W and 100W options, you can also configure the total reflection power according to user requirements;
- 3, only some common frequencies in the table, can be produced according to the user's requirements;
- 4, if you do not find what you are looking for, please contact us!