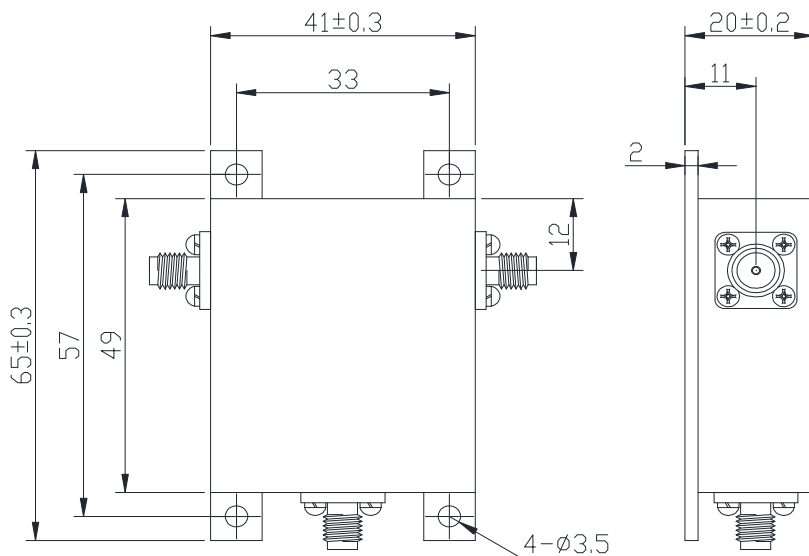


300 to 1000MHz Coaxial Isolator

TG4149AS SMA Type

Outline Drawing (mm): 



Features:

- ◇ Good temperature stability
- ◇ Withstand high power
- ◇ RoHS compliant
- ◇ Weight : \approx 360g

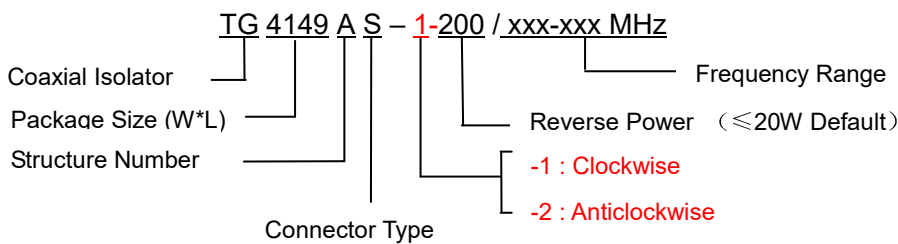
Material list:

- ◇ Outer shell: industrial pure iron nickel plating
- ◇ Cavity: aluminum conductive oxidation
- ◇ Inner conductor: silver plated brass

Application:

- ◇ Rf amplifier final stage, protect the amplifier
- ◇ Small capacity microwave relay communication
- ◇ Tropospheric scatter communication
- ◇ GSM/CDMA/TD-SCDMA/WCDMA
- ◇ EGSM/Wimax/TD-LTE/AMPS/SMR
- ◇ 5G and other communication systems

Order Examples:



Connector Type:

SMA Type Connector Options			N Type Connector Options		
Port 1	Port 2	Abbreviation	Port 1	Port 2	Abbreviation
SMA-F	SMA-F	S	N-F	N-F	N
SMA-F	SMA-M	SKJ	N-F	N-M	NKJ
SMA-M	SMA-F	SJK	N-M	N-F	NJK
SMA-M	SMA-M	SJ	N-M	N-M	NJ

Basic Specifications :

Impedance	50 Ω
Connector Type	SMA-F
Size(mm)	41.0*49.0*20.0
Operating Temp	-30~+70 $^{\circ}$ C/-40~+85 $^{\circ}$ C
Storage temperature	-50~+90 $^{\circ}$ C

Specifications :

Model No. (X=1: \rightarrow Clockwise) (X=2: \leftarrow Anticlockwise)	Freq. Range MHz	IL. dB (max)	Isolation dB (min)	VSWR	Forward Power CW	Reverse Power W	Notes
TG4149AS-X/300-475MHz	300-475	0.80	18.0	1.35	30	10	+25 \pm 5 $^{\circ}$ C
		1.00	16.0	1.40			0~+60 $^{\circ}$ C
		1.20	14.0	1.60			-40~+85 $^{\circ}$ C
TG4149AS-X/400-600MHz	400-600	0.60	20.0	1.25	30	10	+25 \pm 5 $^{\circ}$ C
		0.70	18.0	1.30			-10~+60 $^{\circ}$ C
TG4149AS-X/600-1000MHz	600-1000	1.00	16.0	1.40	30	10	0~+60 $^{\circ}$ C

Instructions:

- 1, the isolator connector can be selected SMA male and female head, can be used with the user;
- 2, the reflection power is commonly used 20W and 100W options, you can also configure the total reflection power according to user requirements;
- 3, only some common frequencies in the table, can be produced according to the user's requirements;
- 4, if you do not find what you are looking for, please contact us!