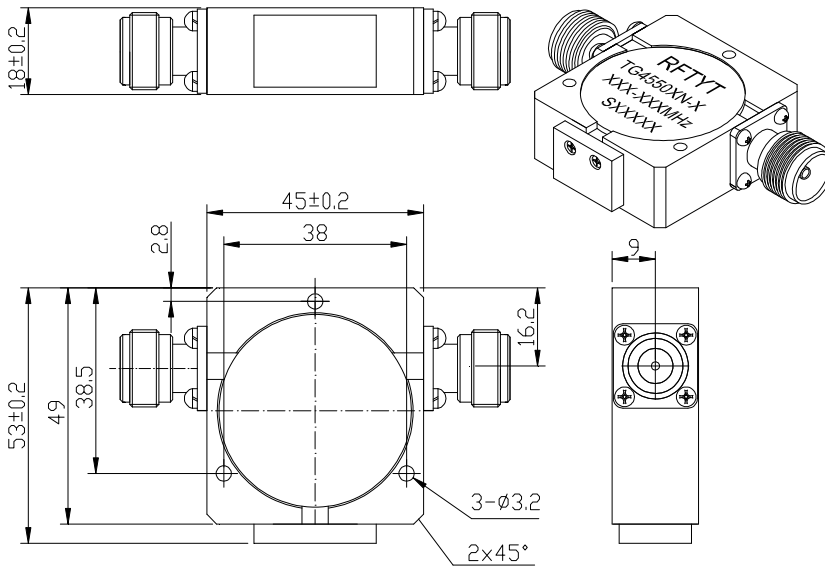
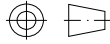


## 250 to 1400MHz Coaxial Isolator

### TG4550XN N Type

#### Outline Drawing (mm):



#### Features:

- ◇ Good temperature stability
- ◇ Withstand high power
- ◇ RoHS compliant
- ◇ Weight :  $\approx$  290 g

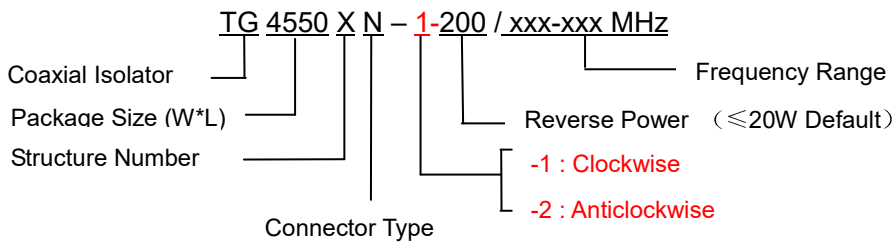
#### Material list:

- ◇ Shell: easy to cut iron plated nickel
- ◇ Inner conductor: silver plated brass
- ◇ Load chamber: aluminum conductive oxidation

#### Application:

- ◇ Rf amplifier final stage, protect the amplifier
- ◇ Small capacity microwave relay communication
- ◇ Tropospheric scatter communication
- ◇ GSM/CDMA/TD-SCDMA/WCDMA
- ◇ EGSM/Wimax/TD-LTE/AMPS/SMR
- ◇ 5G and other communication systems

#### Order Examples :



#### Connector Type:

SMA Type Connector Options			N Type Connector Options		
Port 1	Port 2	Abbreviation	Port 1	Port 2	Abbreviation
SMA-F	SMA-F	S	N-F	N-F	N
SMA-F	SMA-M	SKJ	N-F	N-M	NKJ
SMA-M	SMA-F	SJK	N-M	N-F	NJK
SMA-M	SMA-M	SJ	N-M	N-M	NJ

**Basic Specifications :**

Impedance	50 Ω
Connector Type	N-F
Size(mm)	45.0*49.0*18.0
Operating Temp	-30~+70℃/-45+85℃
Storage temperature	-50~+90℃

**Specifications :**

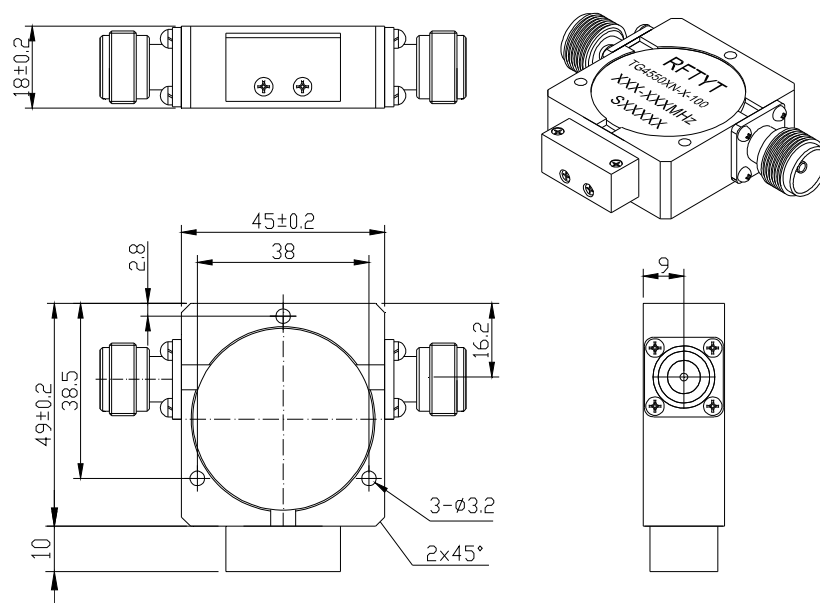
Model No. (X=1: →Clockwise) (X=2: ←Anticlockwise)	Freq. Range MHz	IL. dB (max)	Isolation dB (min)	VSWR	Forward Power CW	Reverse Power W
TG4550XN-X/250-300MHz	250-300	0.60	20.0	1.25	100	20/100
TG4550XN-X/280-310MHz	280-310	0.40	23.0	1.20	100	20/100
TG4550XN-X/285-295MHz	285-295	0.30	23.0	1.20	100	20/100
TG4550XN-X/289-359MHz	289-359	0.50	19.0	1.25	100	20/100
TG4550XN-X/290-310MHz	290-310	0.30	23.0	1.20	100	20/100
TG4550XN-X/292-332MHz	292-332	0.40	20.0	1.25	100	20/100
TG4550XN-X/300-350MHz	300-350	0.50	20.0	1.25	100	20/100
TG4550XN-X/300-400MHz	300-400	0.60	18.0	1.30	100	20/100
TG4550XN-X/300-420MHz	300-420	0.80	16.0	1.40	100	20/100
TG4550XN-X/320-415MHz	320-415	0.80	18.0	1.40	100	20/100
TG4550XN-X/345-415MHz	345-415	0.60	20.0	1.25	100	20/100
TG4550XN-X/350-400MHz	350-400	0.40	20.0	1.20	100	20/100
TG4550XN-X/350-470MHz	350-470	0.50	19.0	1.25	100	20/100
TG4550XN-X/360-440MHz	360-440	0.40	20.0	1.25	100	20/100
TG4550XN-X/360-470MHz	360-470	0.50	20.0	1.25	100	20/100
TG4550XN-X/375-415MHz	375-415	0.40	20.0	1.25	100	20/100
TG4550XN-X/380-480MHz	380-480	0.50	18.0	1.30	100	20/100
TG4550XN-X/400-430MHz	400-430	0.25	25.0	1.15	100	20/100
TG4550XN-X/400-500MHz	400-500	0.50	20.0	1.25	100	20/100
TG4550XN-X/400-520MHz	400-520	0.50	18.0	1.30	100	20/100



Model No. (X=1: →Clockwise) (X=2: ←Anticlockwise)	Freq. Range MHz	IL. dB (max)	Isolation dB (min)	VSWR	Forward Power CW	Reverse Power W
TG4550XN-X/400-550MHz	400-550	0.60	18.0	1.30	100	20/100
TG4550XN-X/400-600MHz	400-600	0.90	14.0	1.60	100	20/100
TG4550XN-X/412-512MHz	412-512	0.50	20.0	1.25	100	20/100
TG4550XN-X/440-470MHz	440-470	0.25	25.0	1.15	100	20/100
TG4550XN-X/450-600MHz	450-600	0.50	18.0	1.30	100	20/100
TG4550XN-X/460-605MHz	460-605	0.50	18.0	1.30	100	20/100
TG4550XN-X/470-520MHz	470-520	0.40	20.0	1.25	100	20/100
TG4550XN-X/470-610MHz	470-610	0.50	18.0	1.30	100	20/100
TG4550XN-X/470-650MHz	470-650	0.60	18.0	1.30	100	20/100
TG4550XN-X/500-700MHz	500-700	0.60	18.0	1.30	100	20/100
TG4550XN-X/520-570MHz	520-570	0.30	23.0	1.20	100	20/100
TG4550XN-X/570-610MHz	570-610	0.30	23.0	1.20	100	20/100
TG4550XN-X/600-900MHz	600-900	0.80	15.0	1.50	100	20/100
TG4550XN-X/610-960MHz	610-960	0.80	17.0	1.50	100	20/100
TG4550XN-X/620-862MHz	620-862	0.50	20.0	1.25	100	20/100
TG4550XN-X/690-1000MHz	690-1000	0.60	18.0	1.30	100	20/100
TG4550XN-X/698-960MHz	698-960	0.50	20.0	1.25	100	20/100
TG4550XN-X/700-1000MHz	700-1000	0.60	20.0	1.25	100	20/100
TG4550XN-X/760-1010MHz	760-1010	0.50	20.0	1.25	100	20/100
TG4550XN-X/800-900MHz	800-900	0.30	23.0	1.20	100	20/100
TG4550XN-X/800-1000MHz	800-1000	0.40	20.0	1.25	100	20/100
TG4550XN-X/800-1200MHz	800-1200	0.60	16.0	1.40	100	20/100
TG4550XN-X/806-960MHz	806-960	0.30	23.0	1.20	100	20/100
TG4550XN-X/850-1000MHz	850-1000	0.40	23.0	1.20	100	20/100
TG4550XN-X/850-1150MHz	850-1150	0.40	20.0	1.25	100	20/100
TG4550XN-X/1010-1110MHz	1010-1110	0.30	23.0	1.20	100	20/100
TG4550XN-X/1200-1300MHz	1200-1300	0.30	23.0	1.20	100	20/100

Model No. (X=1: →Clockwise) (X=2: ←Anticlockwise)	Freq. Range MHz	IL. dB (max)	Isolation dB (min)	VSWR	Forward Power CW	Reverse Power W
TG4550XN-X/1200-1400MHz	1200-1400	0.30	20.0	1.20	100	20/100

### Reflected power 100W size diagram



The reflected power of this figure is 100W, the index is shown in the table above, and the model is **TG4550XN-X-100/XXX-XXXMHz**

### Instructions:

- 1, the isolator connector can be selected SMA, N, male and female head can be used with the user;
- 2, the reflection power is commonly used 20W and 100W options, you can also configure the total reflection power according to user requirements;
- 3, only some common frequencies in the table, can be produced according to the user's requirements;
- 4, if you do not find what you are looking for, please contact us!