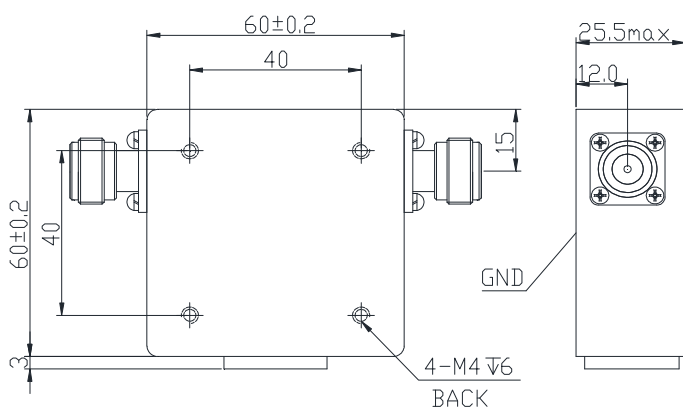
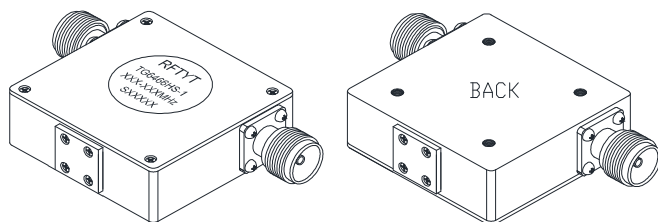
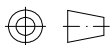


40 to 400MHz Coaxial Isolator

TG6060EN N Type

Outline Drawing (mm):



Features:

- ◇ Good temperature stability
- ◇ Withstand high power
- ◇ RoHS compliant
- ◇ Weight : \approx 340 g

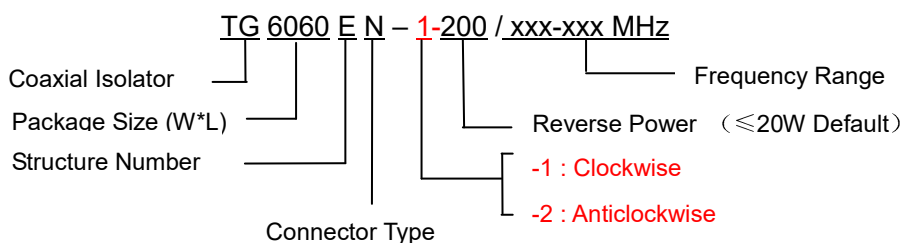
Material list:

- ◇ Housing: Aluminum
- ◇ Coating: Nickel
- ◇ Inner conductor: brass
- ◇ Plating layer: silver

Application:

- ◇ Rf amplifier final stage, protect the amplifier
- ◇ Digital communication
- ◇ Satellite communication
- ◇ Ionospheric scattering communication
- ◇ Mobile communication
- ◇ Small capacity microwave relay communication

Order Examples :



Connector Type:

SMA Type Connector Options			N Type Connector Options		
Port 1	Port 2	Abbreviation	Port 1	Port 2	Abbreviation
SMA-F	SMA-F	S	N-F	N-F	N
SMA-F	SMA-M	SKJ	N-F	N-M	NKJ
SMA-M	SMA-F	SJK	N-M	N-F	NJK
SMA-M	SMA-M	SJ	N-M	N-M	NJ

Basic Specifications :

Impedance	50 Ω
Connector Type	N-F
Size(mm)	60.0*60.0*25.0
Operating Temp	-20~+70℃
Storage temperature	-50~+90℃

Specifications :

Model No. (X=1: →Clockwise) (X=2: ←Anticlockwise)	Freq. Range MHz	IL. dB (max)	Isolation dB (min)	VSWR	Forward Power CW	Reverse Power W
TG6060EN-X/40-45MHz	40-45	1.8	18.0	1.30	50	20/50
TG6060EN-X/45-50MHz	45-50	1.4	18.0	1.30	50	20/50
TG6060EN-X/45-55MHz	45-55	1.6	18.0	1.30	50	20/50
TG6060EN-X/47-61MHz	47-61	1.5	18.0	1.30	50	20/50
TG6060EN-X/50-75MHz	50-75	1.2	18.0	1.30	50	20/50
TG6060EN-X/55-65MHz	55-65	0.8	20.0	1.25	50	20/50
TG6060EN-X/55-75MHz	55-75	1.0	18.0	1.30	50	20/50
TG6060EN-X/60-65MHz	60-65	0.6	20.0	1.25	50	20/50
TG6060EN-X/60-80MHz	60-80	0.8	20.0	1.25	50	20/50
TG6060EN-X/65-70MHz	65-70	0.6	20.0	1.25	100	20/100
TG6060EN-X/68-88MHz	68-88	0.7	20.0	1.25	100	20/100
TG6060EN-X/70-85MHz	70-85	0.6	20.0	1.25	100	20/100
TG6060EN-X/70-90MHz	70-90	0.7	20.0	1.25	100	20/100
TG6060EN-X/75-100MHz	75-100	0.7	19.0	1.25	100	20/100
TG6060EN-X/80-120MHz	80-120	1.0	18.0	1.30	50	20/50
TG6060EN-X/85-135MHz	85-135	1.1	18.0	1.30	50	20/50
TG6060EN-X/87-108MHz	87-108	0.6	20.0	1.25	100	20/100
TG6060EN-X/88-138MHz	88-138	1.0	18.0	1.30	50	20/50
TG6060EN-X/90-100MHz	90-100	0.5	20.0	1.20	100	20/100

Model No. (X=1: →Clockwise) (X=2: ←Anticlockwise)	Freq. Range MHz	IL dB (max)	Isolation dB (min)	VSWR	Forward Power CW	Reverse Power W
TG6060EN-X/100-130MHz	100-130	0.6	20.0	1.25	100	20/100
TG6060EN-X/100-140MHz	100-140	0.8	20.0	1.25	100	20/100
TG6060EN-X/100-150MHz	100-150	0.9	18.0	1.30	100	20/100
TG6060EN-X/108-118MHz	108-118	0.5	23.0	1.20	100	20/100
TG6060EN-X/108-137MHz	108-137	0.6	20.0	1.25	100	20/100
TG6060EN-X/116-138MHz	116-138	0.6	20.0	1.20	100	20/100
TG6060EN-X/118-137MHz	118-137	0.6	20.0	1.20	100	20/100
TG6060EN-X/118-161MHz	118-161	0.6	20.0	1.25	100	20/100
TG6060EN-X/130-180MHz	130-180	0.5	20.0	1.25	100	20/100
TG6060EN-X/130-190MHz	130-190	0.6	18.0	1.25	100	20/100
TG6060EN-X/135-155MHz	135-155	0.5	20.0	1.20	100	20/100
TG6060EN-X/135-195MHz	135-195	0.6	18.0	1.30	100	20/100
TG6060EN-X/136-174MHz	136-174	0.5	20.0	1.25	100	20/100
TG6060EN-X/140-150MHz	140-150	0.40	20.0	1.25	100	20/100
TG6060EN-X/146-174MHz	146-174	0.50	20.0	1.15	100	20/100
TG6060EN-X/150-170MHz	150-170	0.40	20.0	1.20	100	20/100
TG6060EN-X/150-200MHz	150-200	0.50	20.0	1.25	100	20/100
TG6060EN-X/150-225MHz	150-225	0.60	18.0	1.30	100	20/100
TG6060EN-X/153-157MHz	153-157	0.40	23.0	1.20	100	20/100
TG6060EN-X/157-159MHz	157-159	0.40	23.0	1.20	100	20/100
TG6060EN-X/160-170MHz	160-170	0.40	23.0	1.20	100	20/100
TG6060EN-X/165-175MHz	165-175	0.40	23.0	1.20	100	20/100
TG6060EN-X/166-172MHz	166-172	0.40	23.0	1.20	100	20/100
TG6060EN-X/170-200MHz	170-200	0.50	20.0	1.25	100	20/100
TG6060EN-X/170-230MHz	170-230	0.60	20.0	1.25	100	20/100
TG6060EN-X/175-215MHz	175-215	0.50	20.0	1.25	100	20/100
TG6060EN-X/180-230MHz	180-230	0.50	20.0	1.25	100	20/100



Model No. (X=1: →Clockwise) (X=2: ←Anticlockwise)	Freq. Range MHz	IL. dB (max)	Isolation dB (min)	VSWR	Forward Power CW	Reverse Power W
TG6060EN-X/180-240MHz	180-240	0.60	20.0	1.25	100	20/100
TG6060EN-X/200-270MHz	200-270	0.60	20.0	1.25	100	20/100
TG6060EN-X/200-300MHz	200-300	0.60	19.0	1.25	100	20/100
TG6060EN-X/225-400MHz	225-400	0.80	18.0	1.30	100	20/100
TG6060EN-X/233-253MHz	233-253	0.40	23.0	1.20	100	20/100

Note: When the reflected power is selected as 50 W, the model is: TG6060EN-X-50/XX-XXMHz, the overall size is the same.

When the reflected power is selected to 100W, its model is: TG6060EN-X-100/XX-XXMHz, the overall size is the same.

Instructions:

- 1, the isolator connector can be selected SMA, N, male and female head can be used with the user;
- 2, the resistance of the reflected power is embedded, so 20W, 50W and 100W, the product outline size is the same;
- 3, only some common frequencies in the table, can be produced according to the user's requirements;
- 4, if you do not find what you are looking for, please contact us!