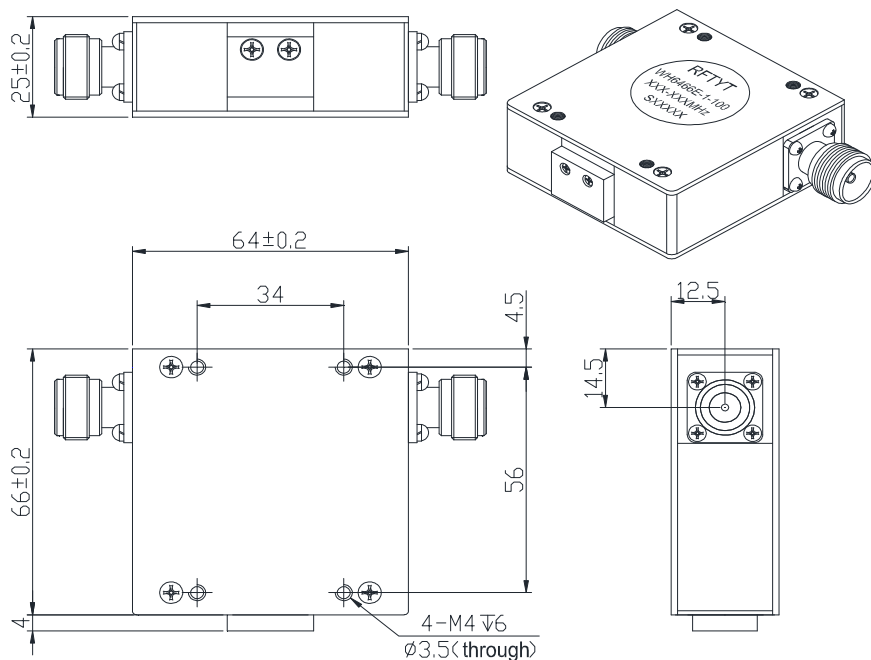


## 100 to 200MHz Coaxial Isolator

### TG6466EN N Type

#### Outline Drawing (mm):



#### Features:

- ◇ Good temperature stability
- ◇ Withstand high power
- ◇ RoHS compliant
- ◇ Weight : ≈ 240 g

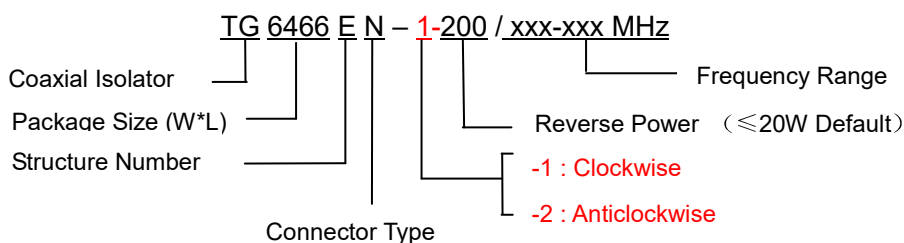
#### Material list:

- ◇ Cavity: aluminum, conductive oxidation
- ◇ Housing: Industrial pure iron, nickel-plated
- ◇ Conductor: brass, silver plated
- ◇ Load chamber: aluminum, conductive oxidation

#### Application:

- ◇ Rf amplifier final stage, protect the amplifier
- ◇ Common transceiver antenna
- ◇ Communication between aircraft, mobile communication

#### Order Examples :



#### Connector Type:

SMA Type Connector Options			N Type Connector Options		
Port 1	Port 2	Abbreviation	Port 1	Port 2	Abbreviation
SMA-F	SMA-F	S	N-F	N-F	N
SMA-F	SMA-M	SKJ	N-F	N-M	NKJ
SMA-M	SMA-F	SJK	N-M	N-F	NJK
SMA-M	SMA-M	SJ	N-M	N-M	NJ

**Basic Specifications :**

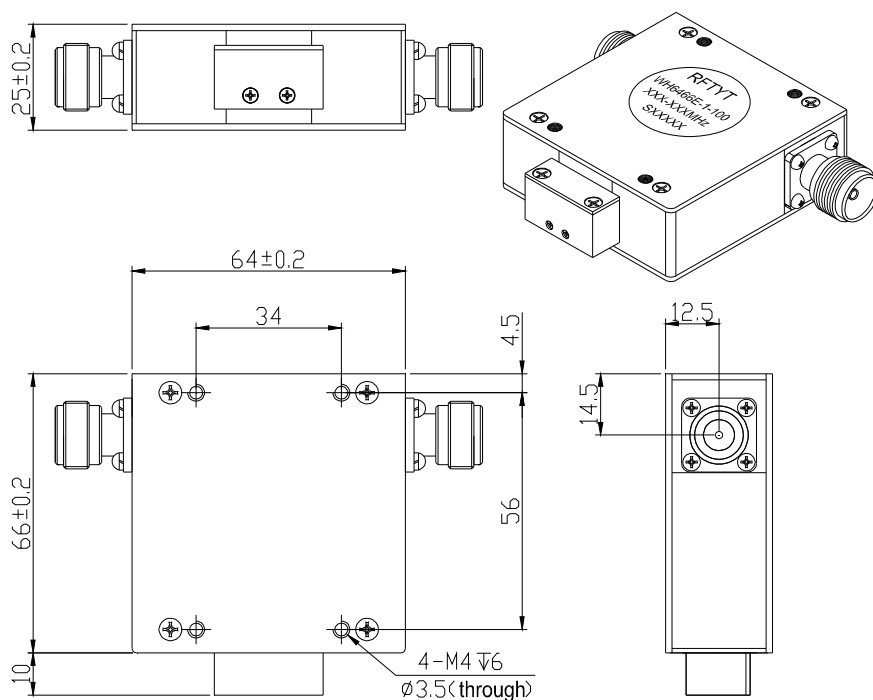
Impedance	50 Ω
Connector Type	N-F
Size(mm)	64.0*66.0*25.0
Operating Temp	-10~+60℃
Storage temperature	-50~+90 ℃

**Specifications :**

Model No. (X=1: →Clockwise) (X=2: ←Anticlockwise)	Freq. Range MHz	IL. dB (max)	Isolation dB (min)	VSWR	Forward Power CW	Reverse Power W
TG6466EN-X/100-105MHz	100-105	0.80	18.0	1.30	300	20/100
TG6466EN-X/105-115MHz	105-115	0.80	18.0	1.30	300	20/100
TG6466EN-X/130-150MHz	130-150	0.60	20.0	1.25	300	20/100
TG6466EN-X/140-160MHz	140-160	0.60	20.0	1.25	300	20/100
TG6466EN-X/140-148MHz	140-148	0.50	23.0	1.20	300	20/100
TG6466EN-X/145-155MHz	145-155	0.50	20.0	1.25	300	20/100
TG6466EN-X/148-174MHz	148-174	0.50	20.0	1.25	300	20/100
TG6466EN-X/150-170MHz	150-170	0.50	20.0	1.25	300	20/100
TG6466EN-X/160-190MHz	160-190	0.70	18.0	1.30	300	20/100
TG6466EN-X/170-174MHz	170-174	0.45	23	1.20	300	20/100
TG6466EN-X/170-200MHz	170-200	0.70	18.0	1.30	300	20/100
TG6466EN-X/180-220MHz	180-220	0.65	18.0	1.30	300	20/100

**Reflected power 100W size diagram**

See next page



The reflected power of this figure is 100W, the indicators are the same as the table, model **TG6466EN-X-100/XXX-XXXMHz**

### Instructions:

- 1, the isolator connector can be selected SMA, N, male and female head can be used with the user;
- 2, the reflection power is commonly used 20W and 100W options, you can also configure the total reflection power according to user requirements;
- 3, only some common frequencies in the table, can be produced according to the user's requirements;
- 4, if you do not find what you are looking for, please contact us!