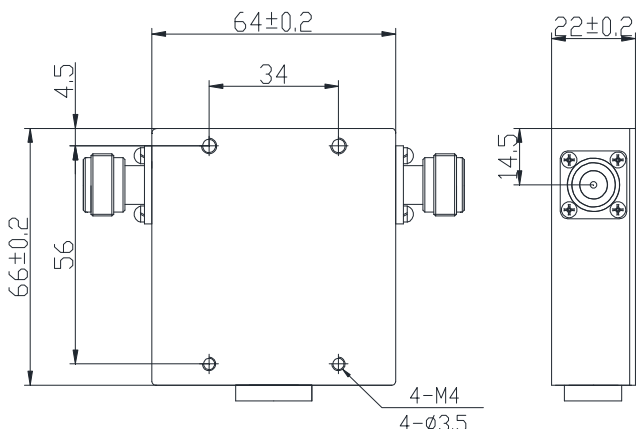
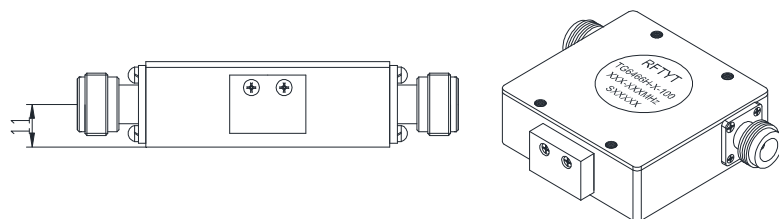
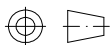


30 to 40MHz Coaxial Isolator

TG6466HN N Type

Outline Drawing (mm):



Features:

- ◇ Good temperature stability
- ◇ Withstand high power
- ◇ RoHS compliant
- ◇ Weight : \approx 360 g

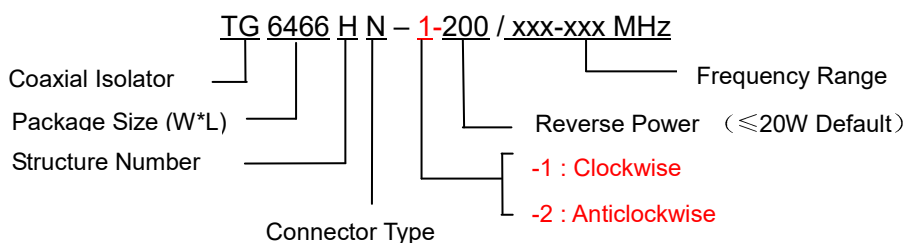
Material list:

- ◇ Housing: aluminum
conductive oxidation
- ◇ Inner conductor: silver plated brass
- ◇ Load chamber: aluminum conductive
oxidation

Application:

- ◇ Rf amplifier final stage, protect the
amplifier
- ◇ Digital communication
- ◇ Satellite communication
- ◇ Ionospheric scattering communication
- ◇ Mobile communication
- ◇ Small capacity microwave relay
communication

Order Examples:



Connector Type:

SMA Type Connector Options			N Type Connector Options		
Port 1	Port 2	Abbreviation	Port 1	Port 2	Abbreviation
SMA-F	SMA-F	S	N-F	N-F	N
SMA-F	SMA-M	SKJ	N-F	N-M	NKJ
SMA-M	SMA-F	SJK	N-M	N-F	NJK
SMA-M	SMA-M	SJ	N-M	N-M	NJ

Basic Specifications :

Impedance	50 Ω
Connector Type	N-F
Size(mm)	64.0*66.0*22.0
Operating Temp	-20~+70℃
Storage temperature	-40~+90℃

Specifications :

Model No. (X=1: →Clockwise) (X=2: ←Anticlockwise)	Freq. Range MHz	IL. dB (max)	Isolation dB (min)	VSWR	Forward Power CW	Reverse Power W
TG6466HN-X/30-31MHz	30.0-31.0	2.0	18.0	1.30	50	20/50
TG6466HN-X/31-32MHz	31.0-32.0	1.9	18.0	1.30	50	20/50
TG6466HN-X/32-33MHz	32.0-33.0	1.8	18.0	1.30	50	20/50
TG6466HN-X/33-34MHz	33.0-34.0	1.8	18.0	1.30	50	20/50
TG6466HN-X/34-35MHz	34.0-35.0	1.7	18.0	1.30	50	20/50
TG6466HN-X/35-37MHz	35.0-37.0	1.6	18.0	1.30	50	20/50
TG6466HN-X/37-39MHz	37.0-39.0	1.6	18.0	1.30	50	20/50
TG6466HN-X/38-40MHz	38.0-40.0	1.5	20.0	1.25	50	20/50

Note: When the reflected power is selected as 50W, the model is: TG6466HN-X-50/XX-XXMHz, the overall size is the same.

Instructions:

- 1, the isolator connector can be selected SMA, N, male and female head can be used with the user;
- 2, the reflection power is often 20W and 50W choice, the shape is the same;
- 3, only some common frequencies in the table, can be produced according to the user's requirements;
- 4, if you do not find what you are looking for, please contact us!