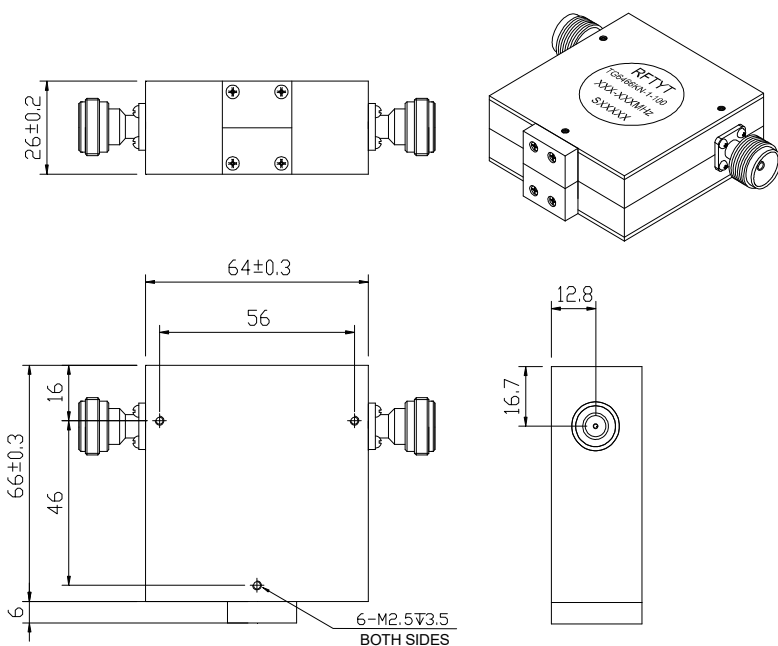


## 0.95 to 2.0GHz Coaxial Isolator

### TG6466KN N Type

Outline Drawing (mm): 



#### Features:

- ◇ Good temperature stability
- ◇ Withstand high power
- ◇ RoHS compliant
- ◇ Weight :  $\approx$  450 g

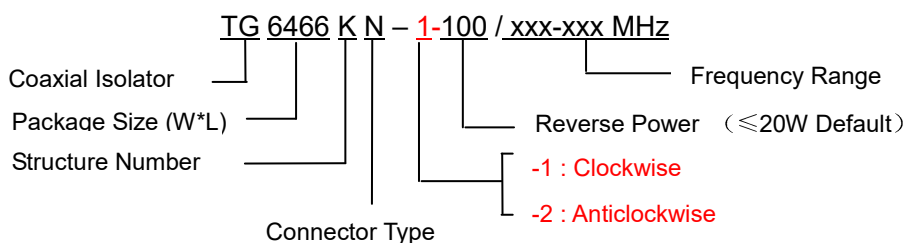
#### Material list:

- ◇ Cavity: aluminum conductive oxidation
- ◇ Housing: Industrial pure iron nickel plated
- ◇ Conductor: silver plated brass
- ◇ Load chamber: aluminum conductive oxidation

#### Application:

- ◇ Rf amplifier final stage, protect the amplifier
- ◇ Digital communication
- ◇ Satellite communication
- ◇ Ionospheric scattering communication
- ◇ Mobile communication
- ◇ Small capacity microwave relay communication

#### Order Examples:



#### Connector Type:

| SMA Type Connector Options |        |              | N Type Connector Options |        |              |
|----------------------------|--------|--------------|--------------------------|--------|--------------|
| Port 1                     | Port 2 | Abbreviation | Port 1                   | Port 2 | Abbreviation |
| SMA-F                      | SMA-F  | S            | N-F                      | N-F    | N            |
| SMA-F                      | SMA-M  | SKJ          | N-F                      | N-M    | NKJ          |
| SMA-M                      | SMA-F  | SJK          | N-M                      | N-F    | NJK          |
| SMA-M                      | SMA-M  | SJ           | N-M                      | N-M    | NJ           |

### Basic Specifications :

|                     |                |
|---------------------|----------------|
| Impedance           | 50 Ω           |
| Connector Type      | N-F            |
| Size(mm)            | 64.0*66.0*26.0 |
| Operating Temp      | -10~+60℃       |
| Storage temperature | -40~+90℃       |

### Specifications :

| Model No.<br>(X=1: →Clockwise)<br>(X=2: ←Anticlockwise) | Freq. Range<br>GHz | IL<br>dB<br>(max) | Isolation<br>dB (min) | VSWR | Forward Power<br>CW | Reverse Power<br>W |
|---|--------------------|-------------------|-----------------------|------|---------------------|--------------------|
| TG6466KN-X-100/950-1700MHz                              | 0.95-1.7           | 0.80              | 16.0                  | 1.40 | 150                 | 100                |
| TG6466KN-X-100/950-2000MHz                              | 0.95-2.0           | 0.80              | 16.0                  | 1.40 | 150                 | 100                |
| TG6466KN-X-100/950-1700MHz                              | 1.0-1.7            | 0.70              | 17.0                  | 1.40 | 150                 | 100                |
| TG6466KN-X-100/950-2000MHz                              | 1.0-2.0            | 0.70              | 17.0                  | 1.40 | 150                 | 100                |

### Instructions:

- 1, the isolator connector can be selected SMA, N, male and female head can be used with the user;
- 2, the reflection power is commonly used 20W and 100W options, you can also configure the total reflection power according to user requirements;
- 3, only some common frequencies in the table, can be produced according to the user's requirements;
- 4, if you do not find what you are looking for, please contact us!