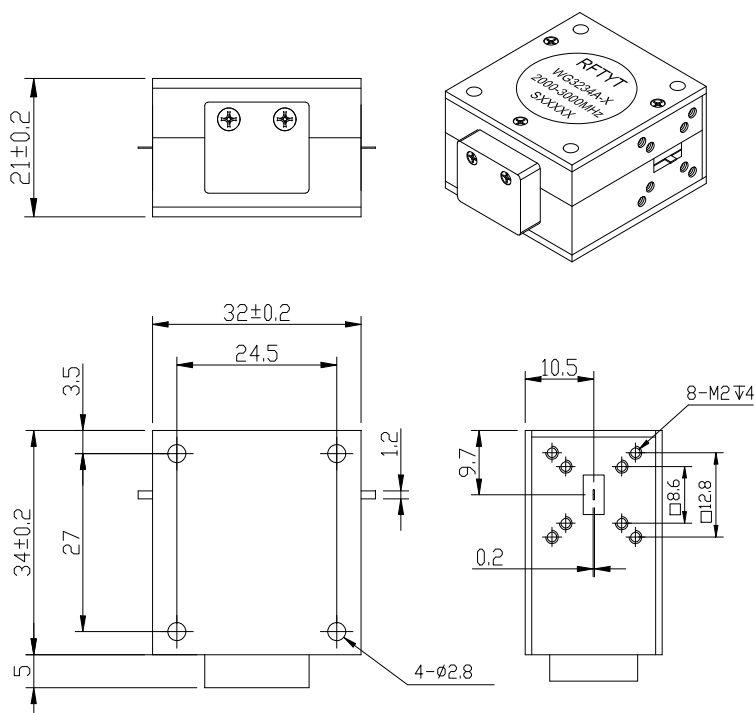


## 2.0 to 4.0GHz Drop in Isolator

### WG3234B Drop-In Type

#### Outline Drawing (mm):



#### Features:

- ◇ Good temperature stability
- ◇ Withstand high power
- ◇ RoHS compliant
- ◇ Weight : ≈100 g

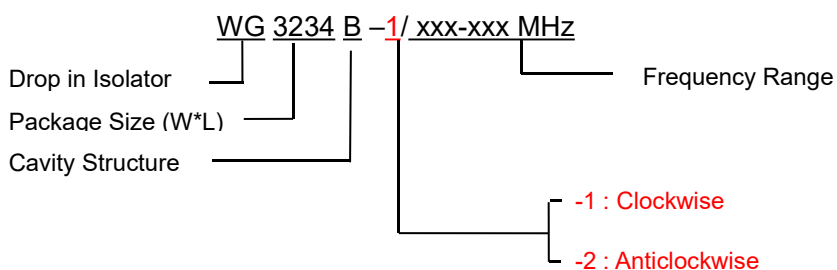
#### Material list:

- ◇ Shell: Steel
- Coating: Bright Nickel
- ◇ Inner conductor: Brass
- Coating: Silver

#### Application:

- ◇ Protect the power amplifier and Installed at the end of RF power amplifier
- ◇ Transceiver common antenna
- ◇ GSM1800/CDMA/TD-SCDMA/WCDMA/EGSM/Wimax/TD-LTE/AMPS/SR 5G and other communication systems

#### Order Examples :



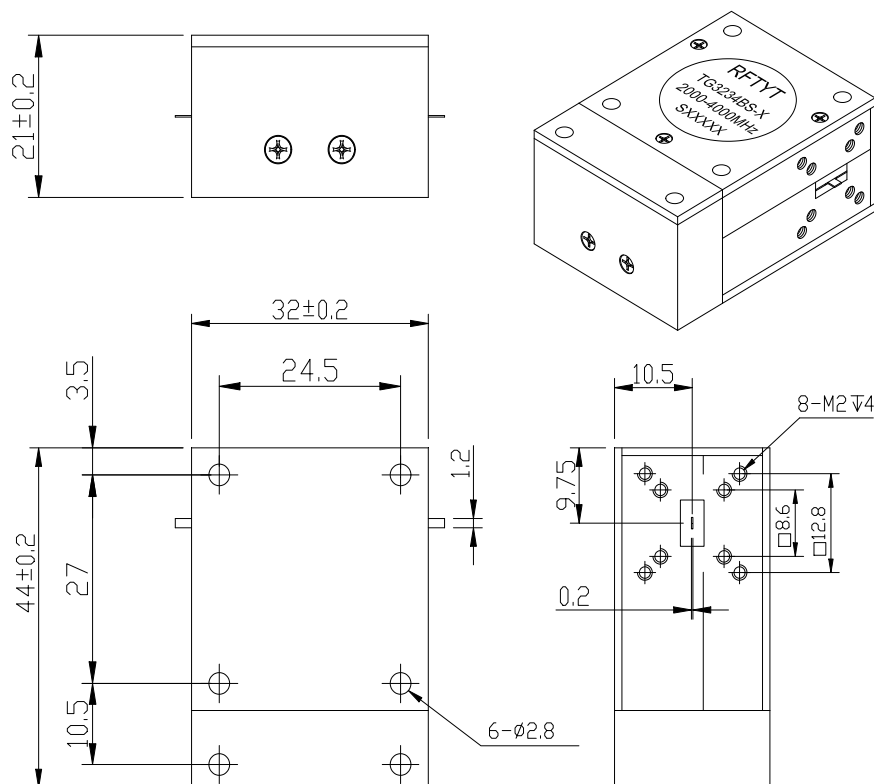
#### Basic Specifications :

Impedance	50 Ω
Size(mm)	32.0*34.0*21.0
Operating Temp	-10~+60 °C
Storage temperature	-50~+90 °C

Specifications:

Model No. (X=1: →Clockwise) (X=2: ←Anticlockwise)	Freq. Range GHz	IL. dB (max)	Isolation dB (min)	VSWR	Forward Power CW	Reverse Power W
WG3234B-X/2000-3000MHz	2.0-3.0	0.40	18.0	1.30	150	20/100
WG3234B-X/2000-3500MHz	2.0-3.5	0.40	18.0	1.30	150	20/100
WG3234B-X/2000-4000MHz	2.0-4.0	0.50	18.0	1.30	150	20/100
WG3234B-X/2500-3500MHz	2.5-3.5	0.40	20.0	1.25	150	20/100
WG3234B-X/2500-4000MHz	2.5-4.0	0.40	18.0	1.30	150	20/100

If the frequency range you need is not covered in the form.  
Please contact us for details.



**100W Reverse Power type**

The specs are shown in the table above, and the model would be WG3234B-X-100/XXX-XXXMHz